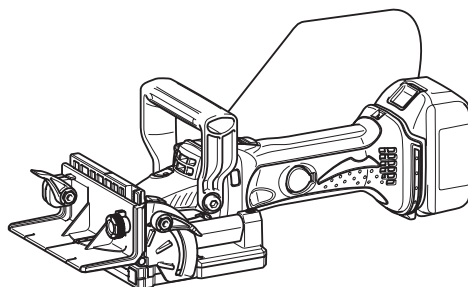


INSTRUCTION MANUAL
MANUEL D'INSTRUCTION
MANUAL DE INSTRUCCIONES



Cordless Plate Joiner Lamelleuse Sans Fil Engalletadora Inalámbrica

DPJ180



IMPORTANT: Read Before Using.

IMPORTANT : Lire avant usage.

IMPORTANTE: Lea antes de usar.

SPECIFICATIONS

Model		DPJ180
Blade size	Plate joiner blade (Outer dia. x Width x Arbor dia.)	100 mm x 4 mm x 22 mm
		(4" x 5/32" x 7/8")
Max. grooving depth		20 mm (3/4")
No load speed (RPM)		6,500 /min
Overall length		351 mm (13-3/4")
Net weight		3.0 kg (6.7 lbs)
Rated voltage		D.C. 18 V
Standard battery cartridge		BL1815N / BL1820B / BL1830 / BL1830B / BL1840B / BL1850B / BL1860B

- Due to our continuing programme of research and development, the specifications herein are subject to change without notice.
- Specifications and battery cartridge may differ from country to country.
- Weight, with battery cartridge, according to EPTA-Procedure 01/2003

General Power Tool Safety Warnings

⚠WARNING Read all safety warnings and all instructions. Failure to follow the warnings and instructions may result in electric shock, fire and/or serious injury.

Save all warnings and instructions for future reference.

The term "power tool" in the warnings refers to your mains-operated (corded) power tool or battery-operated (cordless) power tool.

Work area safety

1. **Keep work area clean and well lit.** Cluttered or dark areas invite accidents.
2. **Do not operate power tools in explosive atmospheres, such as in the presence of flammable liquids, gases or dust.** Power tools create sparks which may ignite the dust or fumes.
3. **Keep children and bystanders away while operating a power tool.** Distractions can cause you to lose control.

Electrical safety

4. **Power tool plugs must match the outlet. Never modify the plug in any way. Do not use any adapter plugs with earthed (grounded) power tools.** Unmodified plugs and matching outlets will reduce risk of electric shock.
5. **Avoid body contact with earthed or grounded surfaces such as pipes, radiators, ranges and refrigerators.** There is an increased risk of electric shock if your body is earthed or grounded.
6. **Do not expose power tools to rain or wet conditions.** Water entering a power tool will increase the risk of electric shock.
7. **Do not abuse the cord. Never use the cord for carrying, pulling or unplugging the power tool. Keep cord away from heat, oil, sharp edges or moving parts.** Damaged or entangled cords increase the risk of electric shock.
8. **When operating a power tool outdoors, use an extension cord suitable for outdoor use.** Use of a cord suitable for outdoor use reduces the risk of electric shock.

9. **If operating a power tool in a damp location is unavoidable, use a ground fault circuit interrupter (GFCI) protected supply.** Use of an GFCI reduces the risk of electric shock.

Personal safety

10. **Stay alert, watch what you are doing and use common sense when operating a power tool. Do not use a power tool while you are tired or under the influence of drugs, alcohol or medication.** A moment of inattention while operating power tools may result in serious personal injury.
11. **Use personal protective equipment. Always wear eye protection.** Protective equipment such as dust mask, non-skid safety shoes, hard hat, or hearing protection used for appropriate conditions will reduce personal injuries.
12. **Prevent unintentional starting. Ensure the switch is in the off-position before connecting to power source and/or battery pack, picking up or carrying the tool.** Carrying power tools with your finger on the switch or energising power tools that have the switch on invites accidents.
13. **Remove any adjusting key or wrench before turning the power tool on.** A wrench or a key left attached to a rotating part of the power tool may result in personal injury.
14. **Do not overreach. Keep proper footing and balance at all times.** This enables better control of the power tool in unexpected situations.
15. **Dress properly. Do not wear loose clothing or jewellery. Keep your hair, clothing, and gloves away from moving parts.** Loose clothes, jewellery or long hair can be caught in moving parts.
16. **If devices are provided for the connection of dust extraction and collection facilities, ensure these are connected and properly used.** Use of dust collection can reduce dust-related hazards.

Power tool use and care

17. **Do not force the power tool. Use the correct power tool for your application.** The correct power tool will do the job better and safer at the rate for which it was designed.
18. **Do not use the power tool if the switch does not turn it on and off.** Any power tool that cannot be controlled with the switch is dangerous and must be repaired.

19. **Disconnect the plug from the power source and/or the battery pack from the power tool before making any adjustments, changing accessories, or storing power tools.** Such preventive safety measures reduce the risk of starting the power tool accidentally.
20. **Store idle power tools out of the reach of children and do not allow persons unfamiliar with the power tool or these instructions to operate the power tool.** Power tools are dangerous in the hands of untrained users.
21. **Maintain power tools. Check for misalignment or binding of moving parts, breakage of parts and any other condition that may affect the power tool's operation. If damaged, have the power tool repaired before use.** Many accidents are caused by poorly maintained power tools.
22. **Keep cutting tools sharp and clean.** Properly maintained cutting tools with sharp cutting edges are less likely to bind and are easier to control.
23. **Use the power tool, accessories and tool bits etc. in accordance with these instructions, taking into account the working conditions and the work to be performed.** Use of the power tool for operations different from those intended could result in a hazardous situation.

Battery tool use and care

24. **Recharge only with the charger specified by the manufacturer.** A charger that is suitable for one type of battery pack may create a risk of fire when used with another battery pack.
25. **Use power tools only with specifically designated battery packs.** Use of any other battery packs may create a risk of injury and fire.
26. **When battery pack is not in use, keep it away from other metal objects, like paper clips, coins, keys, nails, screws or other small metal objects, that can make a connection from one terminal to another.** Shorting the battery terminals together may cause burns or a fire.
27. **Under abusive conditions, liquid may be ejected from the battery; avoid contact. If contact accidentally occurs, flush with water. If liquid contacts eyes, additionally seek medical help.** Liquid ejected from the battery may cause irritation or burns.

Service

28. **Have your power tool serviced by a qualified repair person using only identical replacement parts.** This will ensure that the safety of the power tool is maintained.
29. **Follow instruction for lubricating and changing accessories.**
30. **Keep handles dry, clean and free from oil and grease.**

CORDLESS PLATE JOINER SAFETY WARNINGS

1. **Blades must be rated for at least the speed marked on the tool.** Blades running over rated speed can fly apart and cause injury.
2. **Always use the guard.** The guard protects the operator from broken blade fragments and unintentional contact with the blade.
3. **Use only the blades specified for this tool.**

4. **Never operate the tool with the blade locked in exposed position or without the blade cover secured properly in place.**
5. **Make sure that the blade slides smoothly before operation.**
6. **Check the blades carefully for cracks or damage before operation. Replace cracked or damaged blades immediately.**
7. **Make sure that the flange fits in the arbor hole when installing the blade.**
8. **Inspect for and remove all nails or foreign matter from the workpieces before operation.**
9. **Always place the workpieces on a stable workbench.**
10. **Secure the workpieces firmly with clamp or vise.**
11. **NEVER wear gloves during operation.**
12. **Hold the tool firmly with both hands.**
13. **Keep your hands and body away from the grooving area.**
14. **Run the tool for a while without the blade pointing toward anybody. Watch for vibration or wobbling that could indicate poor installation or a poorly balanced blade.**
15. **Never reach your hands underneath the workpieces while the blade is rotating.**
16. **Do not leave the tool running unattended.**
17. **Always be sure that the tool is switched off and the battery cartridge is removed before making any adjustments or replacing the blade.**
18. **Some material contains chemicals which may be toxic. Take caution to prevent dust inhalation and skin contact. Follow material supplier safety data.**
19. **Do not use blunt or damaged blades.**
20. **Do not use the tool with damaged guards.**

SAVE THESE INSTRUCTIONS.

⚠WARNING: DO NOT let comfort or familiarity with product (gained from repeated use) replace strict adherence to safety rules for the subject product. **MISUSE** or failure to follow the safety rules stated in this instruction manual may cause serious personal injury.

Symbols

The followings show the symbols used for tool.

v	volts
— — —	direct current
n	rated speed
n ₀	no load speed
... /min r /min	revolutions or reciprocation per minute

IMPORTANT SAFETY INSTRUCTIONS

FOR BATTERY CARTRIDGE

1. Before using battery cartridge, read all instructions and cautionary markings on (1) battery charger, (2) battery, and (3) product using battery.
2. Do not disassemble battery cartridge.
3. If operating time has become excessively shorter, stop operating immediately. It may result in a risk of overheating, possible burns and even an explosion.
4. If electrolyte gets into your eyes, rinse them out with clear water and seek medical attention right away. It may result in loss of your eyesight.
5. Do not short the battery cartridge:
 - (1) Do not touch the terminals with any conductive material.
 - (2) Avoid storing battery cartridge in a container with other metal objects such as nails, coins, etc.
 - (3) Do not expose battery cartridge to water or rain.

A battery short can cause a large current flow, overheating, possible burns and even a breakdown.
6. Do not store the tool and battery cartridge in locations where the temperature may reach or exceed 50°C (122°F).
7. Do not incinerate the battery cartridge even if it is severely damaged or is completely worn out. The battery cartridge can explode in a fire.
8. Be careful not to drop or strike battery.
9. Do not use a damaged battery.
10. The contained lithium-ion batteries are subject to the Dangerous Goods Legislation requirements. For commercial transports e.g. by third parties, forwarding agents, special requirement on packaging and labeling must be observed. For preparation of the item being shipped, consulting an expert for hazardous material is required. Please also observe possibly more detailed national regulations. Tape or mask off open contacts and pack up the battery in such a manner that it cannot move around in the packaging.
11. Follow your local regulations relating to disposal of battery.

SAVE THESE INSTRUCTIONS.

CAUTION: Only use genuine Makita batteries. Use of non-genuine Makita batteries, or batteries that have been altered, may result in the battery bursting causing fires, personal injury and damage. It will also void the Makita warranty for the Makita tool and charger.

Tips for maintaining maximum battery life

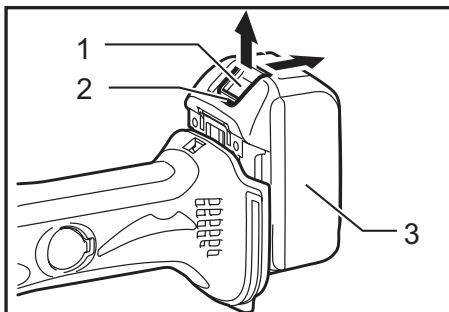
1. Charge the battery cartridge before completely discharged. Always stop tool operation and charge the battery cartridge when you notice less tool power.
2. Never recharge a fully charged battery cartridge. Overcharging shortens the battery service life.
3. Charge the battery cartridge with room temperature at 10°C - 40°C (50°F - 104°F). Let a hot battery cartridge cool down before charging it.
4. Charge the battery cartridge if you do not use it for a long period (more than six months).

FUNCTIONAL DESCRIPTION

CAUTION:

- Always be sure that the tool is switched off and the battery cartridge is removed before adjusting or checking function on the tool.

Installing or removing battery cartridge



▶ 1. Button 2. Red indicator 3. Battery cartridge

CAUTION:

- Always switch off the tool before installing or removing of the battery cartridge.
- **Hold the tool and the battery cartridge firmly when installing or removing battery cartridge.** Failure to hold the tool and the battery cartridge firmly may cause them to slip off your hands and result in damage to the tool and battery cartridge and a personal injury.

To remove the battery cartridge, slide it from the tool while sliding the button on the front of the cartridge. To install the battery cartridge, align the tongue on the battery cartridge with the groove in the housing and slip it into place. Insert it all the way until it locks in place with a little click. If you can see the red indicator on the upper side of the button, it is not locked completely.

CAUTION:

- Always install the battery cartridge fully until the red indicator cannot be seen. If not, it may accidentally fall out of the tool, causing injury to you or someone around you.
- Do not install the battery cartridge forcibly. If the cartridge does not slide in easily, it is not being inserted correctly.

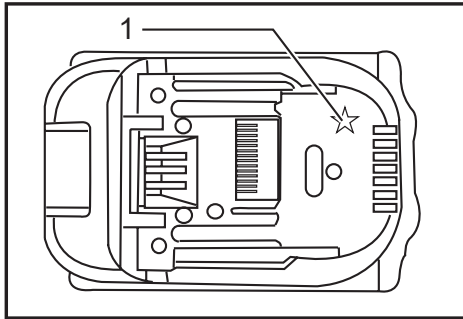
Battery protection system

The tool is equipped with a battery protection system. This system automatically cuts off power to the motor to extend battery life.

The tool will automatically stop during operation if the tool and/or battery are placed under one of the following conditions:

- **Overloaded:**
The tool is operated in a manner that causes it to draw an abnormally high current. In this situation, turn the tool off and stop the application that caused the tool to become overloaded. Then turn the tool on to restart. If the tool does not start, the battery is overheated. In this situation, let the battery cool before turning the tool on again.
- **Low battery voltage:**
The remaining battery capacity is too low and the tool will not operate. In this situation, remove and recharge the battery.

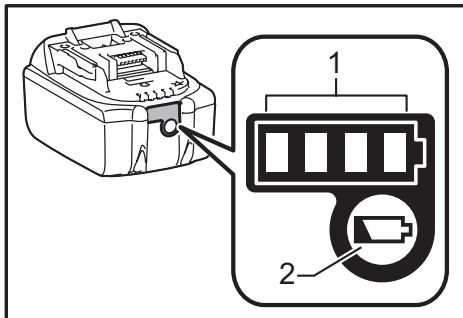
NOTE: The overheat protection works only with a battery cartridge with a star mark.



► 1. Star marking

Indicating the remaining battery capacity

(Only for battery cartridges with "B" at the end of the model number.)



► 1. Indicator lamps 2. CHECK button

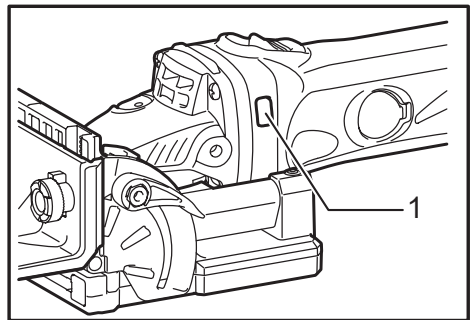
Press the check button on the battery cartridge to indicate the remaining battery capacity. The indicator lamps light up for few seconds.

Indicator lamps			Remaining capacity
Lighted	Off	Blinking	
■ ■ ■ ■			75% to 100%
■ ■ ■ □			50% to 75%
■ ■ □ □			25% to 50%
■ □ □ □			0% to 25%
▣ □ □ □			Charge the battery.
■ ■ □ □			The battery may have malfunctioned.
□ □ ■ ■			

NOTE:

- Depending on the conditions of use and the ambient temperature, the indication may differ slightly from the actual capacity.

Indication lamp with multi function



► 1. Indication lamp

Indication lamps are located in two positions.

When the battery cartridge is inserted on the tool with the slide switch positioned in the "O (OFF)" position, the indication lamp flickers quickly for approximately one second. If it does not flicker so, the battery cartridge or indication lamp has broken.

— Overload protection

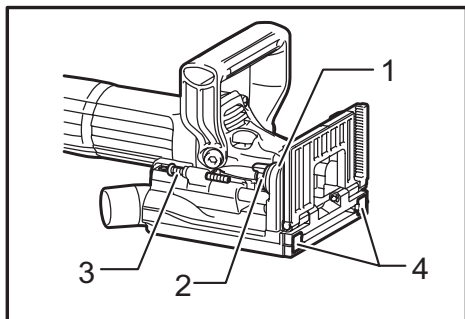
- When the tool is overloaded, the indication lamp lights up. When the load on the tool is reduced, the lamp goes out.
- If the tool continues to be overloaded and the indication lamp continues to light up for approximately two seconds, the tool stops. This prevents the motor and its related parts from being damaged.
- In this case, to start the tool again, move the slide switch to the "O (OFF)" position once and then to the "I (ON)" position.

— Battery cartridge replacing signal

- When the remaining battery capacity gets small, the indicator lamp lights up during operation earlier than enough capacity battery use.

- **Accidental re-start preventive function**
 - Even if the battery cartridge is inserted on the tool with the slide switch in the "I (ON)" position, the tool does not start. At this time, the lamp flickers slowly and this shows that the accidental re-start preventive function is at work.
 - To start the tool, first slide the slide switch toward the "O (OFF)" position and then slide it toward the "I (ON)" position.

Adjusting the depth of groove



► 1. Pointer 2. Stopper 3. Adjusting screw 4. Rubber spike

6 grooving depths can be preset according to the size of biscuit to be used.

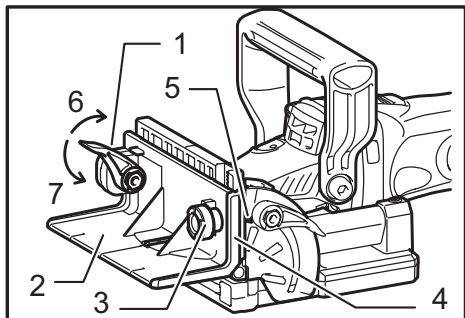
Refer to the table below for the correspondence between the sizes marked on the stopper and the biscuit size. Fine adjustments to the grooving depth can be made by turning the adjusting screw after loosening the hex nut. This may become necessary after the blade has been resharpened a few times.

Size on stopper	0	10	20	S	D	MAX
Biscuit size	0	10	20	—	—	—
Depth of groove	8 mm (0.3")	10 mm (0.4")	12.3 mm (0.48")	13 mm (0.51")	14.7 mm (0.58")	20 mm* (0.8")

* With the rubber spikes removed.

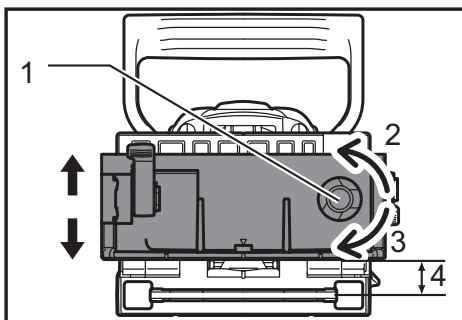
Angle guide

The angle guide height can be moved up and down to adjust the position of the blade in relation to the top of the workpiece.



► 1. Lock lever 2. Angle guide 3. Knob 4. Scale 5. Pointer 6. Tighten 7. Loosen

To adjust the angle guide height, loosen the lock lever down and rotate the knob until the pointer points to the desired scale graduation marked on the angle guide.



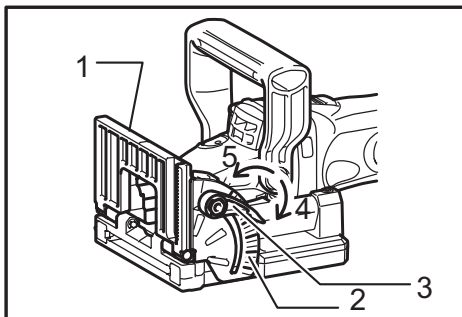
► 1. Knob 2. Down 3. Up 4. Center of blade thickness

Then tighten the lock lever up to secure the angle guide. The scale on the angle guide indicates the distance from the top of the workpiece to the center of the blade thickness. The angle guide is removable from the fence according to the need of your work. To remove the angle guide, loosen the lock lever and turn the knob clockwise until it comes out of the upper end of the fence.

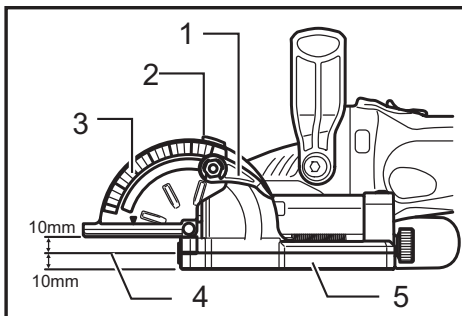
Fence

NOTE:

- Remove the angle guide according to the need of your work when using the tool with the angle of the fence adjusted to other than 0°. When you need to use the angle guide under the above condition, be sure to adjust the depth of groove to get a proper depth.



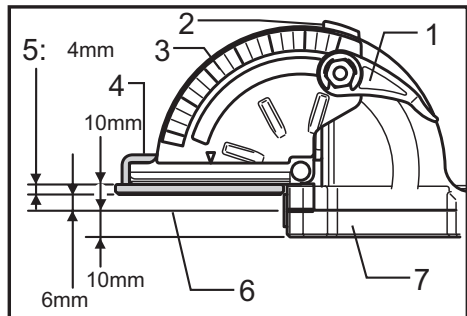
► 1. Fence 2. Angle scale 3. Lock lever 4. Tighten 5. Loosen



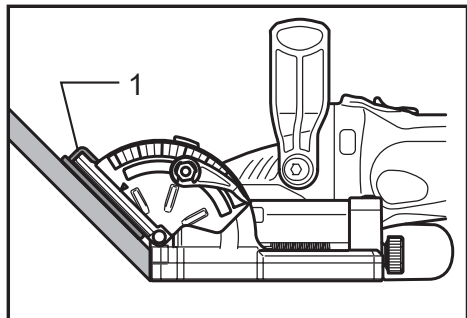
► 1. Lock lever 2. Pointer 3. Angle scale 4. Center of blade thickness 5. Blade cover

The angle of the fence can be adjusted between 0° and 90° (positive stops at 0°, 45° and 90°). To adjust the angle, loosen the lock lever and tilt the fence until the pointer points to the desired graduation on the angle scale. Then tighten the lock lever to secure the fence. When the fence is set at 90°, both the distance from the center of the blade thickness to the fence and the distance from the center of the blade thickness to the bottom of the blade cover are 10 mm (0.4").

Set plate



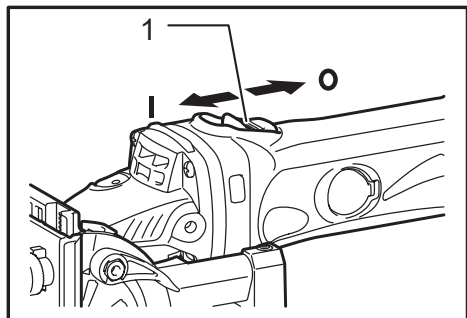
- 1. Lock lever 2. Pointer 3. Angle scale 4. Set plate
5. Thickness of set plate 6. Center of blade thickness 7. Blade cover



- 1. Set plate

Use the set plate as shown in the figures when cutting slots in thin workpieces.

Switch action



- 1. Slide switch

CAUTION:

- Before installing the battery cartridge into the tool, always check to see that the slide switch actuates properly and returns to the "OFF" position when the rear of the slide switch is depressed.
- Switch can be locked in "ON" position for ease of operator comfort during extended use. Apply caution when locking tool in "ON" position and maintain firm grasp on tool.

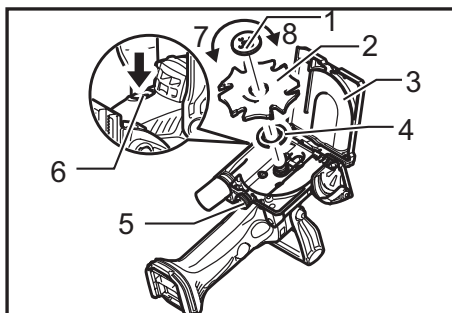
To start the tool, slide the slide switch toward the "I (ON)" position. For continuous operation, press the front of the slide switch to lock it. To stop the tool, press the rear of the slide switch, then slide it toward the "O (OFF)" position.

ASSEMBLY

CAUTION:

- Always be sure that the tool is switched off and the battery cartridge is removed before carrying out any work on the tool.

Removing or installing the blade



- 1. Lock nut 2. Plate joiner blade 3. Blade cover
4. Inner flange 5. Clamp screw 6. Shaft lock
7. Loosen 8. Tighten

CAUTION:

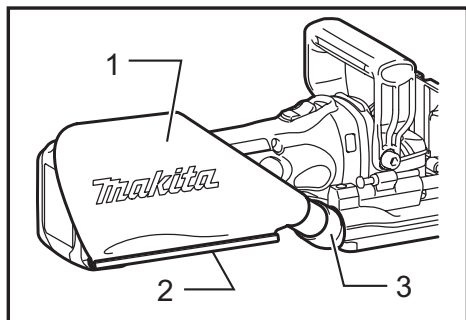
- When installing the plate joiner blade, mount the inner flange with the side marked "22" facing toward you.

To remove the blade, loosen the clamp screw and open the blade cover. Push the shaft lock and loosen the lock nut using the lock nut wrench. To install the blade, first mount the inner flange. Then mount the blade and the lock nut. Securely tighten the lock nut using the lock nut wrench. Close the blade cover and tighten the clamp screw to secure the blade cover.

CAUTION:

- Use only Makita lock nut wrench provided to remove or install the blade.
- Always check the depth of groove after replacing the blade. Readjust it if necessary.

Dust bag



► 1. Dust bag 2. Fastener 3. Dust nozzle

To attach the dust bag, fit it onto the dust nozzle. If the dust bag becomes an obstacle to your work, turn the dust nozzle to change the dust bag position.

When the dust bag is about half full, switch off and remove the battery cartridge. Remove the dust bag from the tool and pull the bag's fastener out. Empty the dust bag by tapping it lightly to remove as much of the dust as possible.

NOTE:

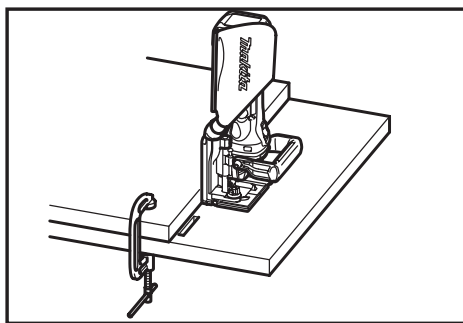
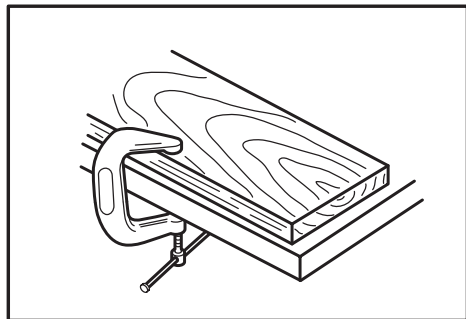
- If you connect a Makita vacuum cleaner to your plate joiner, more efficient and cleaner operations can be performed.

OPERATION

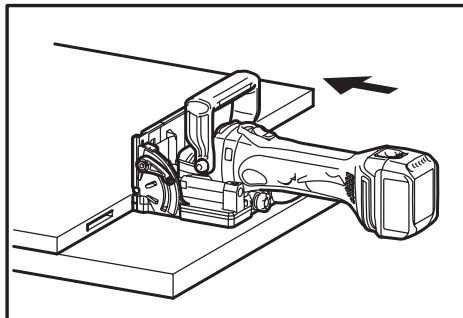
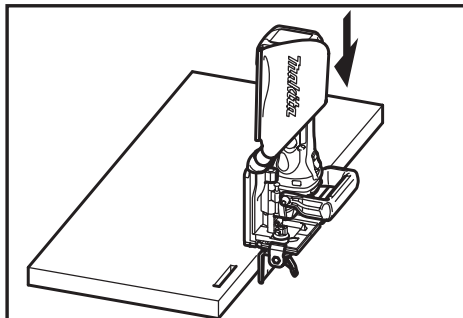
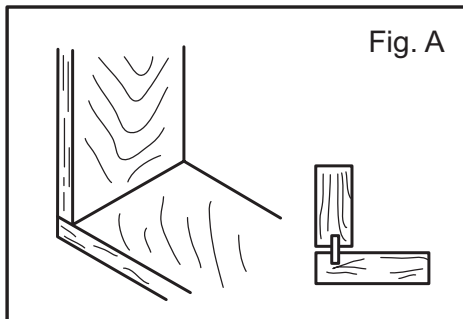
How to make joints

⚠WARNING:

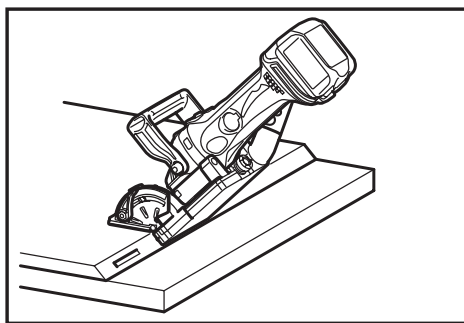
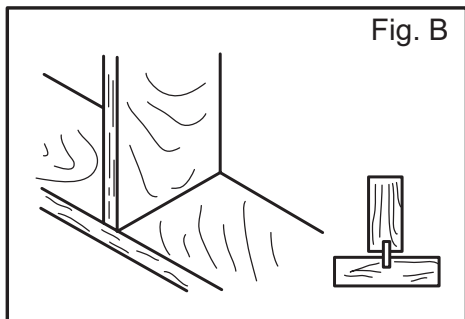
- Always clamp the workpiece to the workbench before each operation.



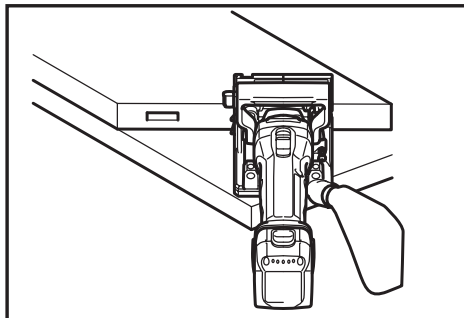
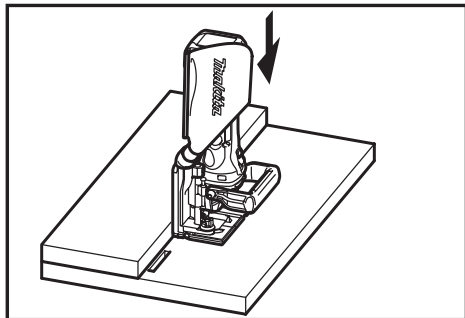
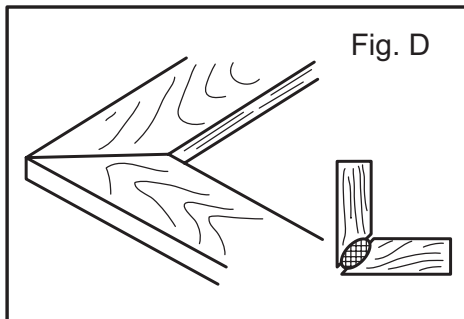
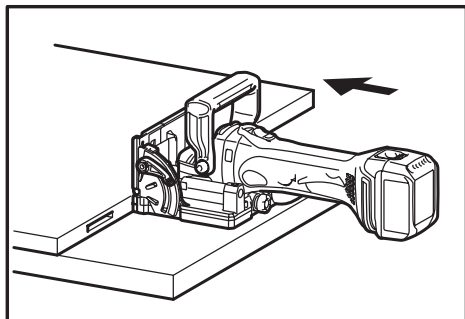
Corner Joint (Fig. A)



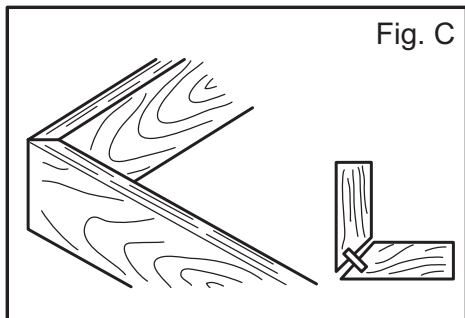
T-Butt Joint (Fig. B)



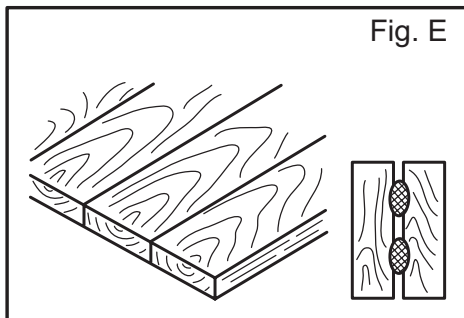
Frame Joint (Fig. D)

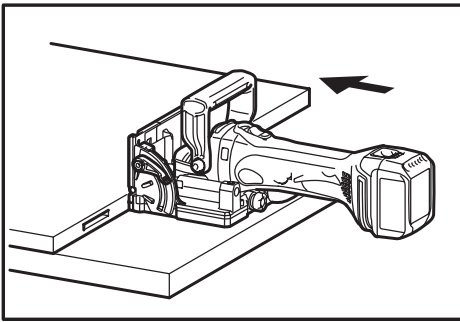


Miter Joint (Fig. C)



Edge-To-Edge Joint (Fig. E)





To make joints, proceed as follows:

1. Fit the two workpieces together as they will appear in the finished joint position.
2. Mark the center of the intended biscuit grooves on the workpiece using a pencil.

NOTE:

- The center of grooves should be at least 50 mm (2") from the outer edge of the workpieces.
- Allow 100 mm - 150 mm (4"-6") between grooves in multiple biscuit application.

3. **For Corner Joint and T-Butt Joint only**

Clamp the vertical workpiece to the workbench.

For Miter Joint only

Clamp one workpiece to the workbench with the mitered edge facing up.

For Frame Joint and Edge-To-Edge Joint only

Clamp one workpiece to the workbench.

4. Set the depth of groove according to the size of biscuit to be used. Refer to the table in the "Adjusting the depth of groove" section.
5. Adjust the angle guide height so that the blade is centered in the board thickness.
6. Align the center mark on the base with the pencil line on the workpiece.
7. Switch on the tool and gently push it forward to extend the blade into the workpiece.
8. Gently return the tool to the original position after the adjusting screw reaches the stopper.
9. **For Corner Joint and T-Butt Joint only**
Clamp the horizontal workpiece to the workbench.
- For Miter Joint only**
Clamp the other workpiece to the workbench with the mitered edge facing up.
- For Frame Joint and Edge-To-Edge Joint only**
Clamp the other workpiece to the workbench.
10. **For Corner Joint only**
Place the tool on the workpiece so that the blade is facing down.
- For T-Butt Joint only**
Remove the angle guide from the tool. Place the tool on the workpiece so that the blade is facing down.
11. Repeat the steps 6 - 8 to groove in the horizontal or the other workpiece.

If you do not need to center the blade in the board thickness, proceed as follows:

For Corner Joint, Miter Joint, Frame Joint and Edge-To-Edge Joint only

- Remove the angle guide from the tool. Set the fence at 90° for Corner Joint, Frame Joint and Edge-To-Edge Joint or at 45° for Miter Joint.
- Follow steps 1 - 11 excluding steps 5 and 10 described above.

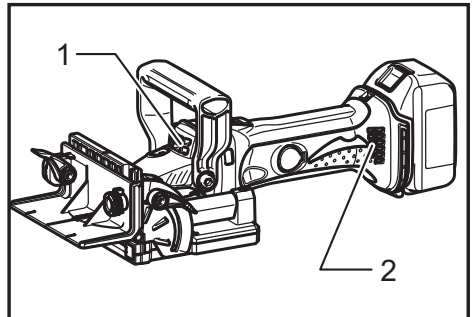
For T-Butt Joint only

- Fit the two workpieces together as they will appear in the finished joint position.
- Lay the vertical workpiece on the horizontal one. Clamp both workpieces to the workbench.
- Remove the angle guide from the tool.
- Follow the steps 2, 4, 6, 7, 8 and 11 described above.

MAINTENANCE

CAUTION:

- Always be sure that the tool is switched off and the battery cartridge is removed before attempting to perform inspection or maintenance.
- Never use gasoline, benzine, thinner, alcohol or the like. Discoloration, deformation or cracks may result.

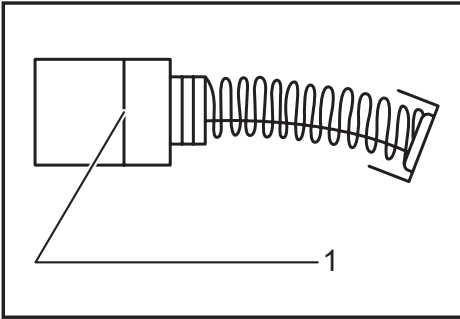


► 1. Exhaust vent 2. Inhalation vent

The tool and its air vents have to be kept clean.

Regularly clean the tool's air vents or whenever the vents start to become obstructed.

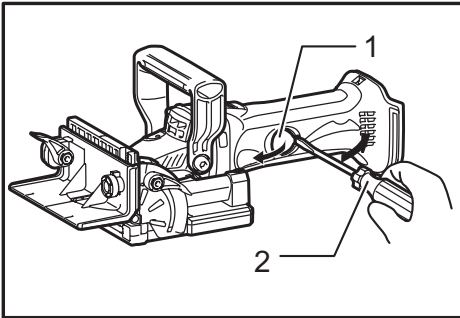
Replacing carbon brushes



► 1. Limit mark

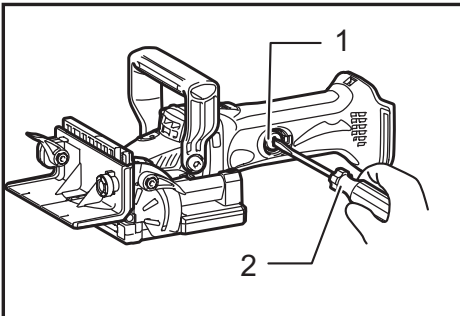
Remove and check the carbon brushes regularly. Replace when they wear down to the limit mark. Keep the carbon brushes clean and free to slip in the holders. Both carbon brushes should be replaced at the same time. Use only identical carbon brushes.

Insert the top end of slotted bit screwdriver into the notch in the tool and remove the holder cap cover by lifting it up.



► 1. Holder cap cover 2. Screwdriver

Use a screwdriver to remove the brush holder caps. Take out the worn carbon brushes, insert the new ones and secure the brush holder caps.



► 1. Brush holder cap 2. Screwdriver

Reinstall the holder cap cover on the tool. To maintain product SAFETY and RELIABILITY, repairs, any other maintenance or adjustment should be performed by Makita Authorized or Factory Service Centers, always using Makita replacement parts.

OPTIONAL ACCESSORIES

⚠ CAUTION:

- These accessories or attachments are recommended for use with your Makita tool specified in this manual. The use of any other accessories or attachments might present a risk of injury to persons. Only use accessory or attachment for its stated purpose.

If you need any assistance for more details regarding these accessories, ask your local Makita Service Center.

- Angle guide
- Dust bag
- Set plate
- Lock nut wrench
- Plate joiner blades
- Makita genuine battery and charger

NOTE:

- Some items in the list may be included in the tool package as standard accessories. They may differ from country to country.

MAKITA LIMITED WARRANTY

Please refer to the annexed warranty sheet for the most current warranty terms applicable to this product. If annexed warranty sheet is not available, refer to the warranty details set forth at below website for your respective country.

United States of America: www.makitatools.com

Canada: www.makita.ca

Other countries: www.makita.com

SPÉCIFICATIONS

Modèle		DPJ180
Format de lame	Lame pour lamelleuse (dia. externe x largeur x dia. arbre)	100 mm x 4 mm x 22 mm
		(4" x 5/32" x 7/8")
Profondeur de rainure max.		20 mm (3/4")
Vitesse à vide (T/MIN)		6 500 /min
Longueur totale		351 mm (13-3/4")
Poids net		3,0 kg (6,7 lbs)
Tension nominale		C.C. 18 V
Batterie standard		BL1815N / BL1820B / BL1830 / BL1830B / BL1840B / BL1850B / BL1860B

- Étant donné l'évolution constante de notre programme de recherche et de développement, les spécifications contenues dans ce manuel sont sujettes à modification sans préavis.
- Les caractéristiques techniques et la batterie peuvent varier suivant les pays.
- Poids, batterie comprise, conforme à la procédure EPA de 01/2003

Consignes de sécurité générales pour outils électriques

⚠ MISE EN GARDE Veuillez lire toutes les mises en garde de sécurité et toutes les instructions. L'ignorance des mises en garde et des instructions comporte un risque de choc électrique, d'incendie et/ou de blessure grave.

Conservez toutes les mises en garde et instructions pour référence future.

Le terme « outil électrique » qui figure dans les avertissements fait référence à un outil électrique branché sur une prise de courant (par un cordon d'alimentation) ou alimenté par batterie (sans fil).

Sécurité de la zone de travail

1. **Maintenez la zone de travail propre et bien éclairée.** Les zones de travail encombrées ou sombres ouvrent grande la porte aux accidents.
2. **N'utilisez pas les outils électriques dans les atmosphères explosives, par exemple en présence de liquides, gaz ou poussières inflammables.** Les outils électriques produisent des étincelles au contact desquelles la poussière ou les vapeurs peuvent s'enflammer.
3. **Assurez-vous qu'aucun enfant ou curieux ne s'approche pendant que vous utilisez un outil électrique.** Vous risquez de perdre la maîtrise de l'outil si votre attention est détournée.

Sécurité en matière d'électricité

4. **Les fiches d'outil électrique sont conçues pour s'adapter parfaitement aux prises de courant. Ne modifiez jamais la fiche de quelque façon que ce soit. N'utilisez aucun adaptateur de fiche sur les outils électriques avec mise à la terre.** En ne modifiant pas les fiches et en les insérant dans des prises de courant pour lesquelles elles ont été conçues vous réduirez les risques de choc électrique.
5. **Évitez tout contact corporel avec les surfaces mises à la terre, telles que les tuyaux, radiateurs, cuisinières et réfrigérateurs.** Le risque de choc électrique est plus élevé si votre corps se trouve mis à la terre.

6. **N'exposez pas les outils électriques à la pluie ou à l'eau.** La présence d'eau dans un outil électrique augmente le risque de choc électrique.
7. **Ne maltraitez pas le cordon. N'utilisez jamais le cordon pour transporter, tirer ou débrancher l'outil électrique. Maintenez le cordon à l'écart des sources de chaleur, de l'huile, des objets à bords tranchants et des pièces en mouvement.** Le risque de choc électrique est plus élevé lorsque les cordons sont endommagés ou enchevêtrés.
8. **Lorsque vous utilisez un outil électrique à l'extérieur, utilisez un cordon prolongateur prévu à cette fin.** Les risques de choc électrique sont moindres lorsqu'un cordon conçu pour l'extérieur est utilisé.
9. **Si vous devez utiliser un outil électrique dans un endroit humide, utilisez une source d'alimentation protégée par un disjoncteur de fuite à la terre.** L'utilisation d'un disjoncteur de fuite à la terre réduit le risque de choc électrique.

Sécurité personnelle

10. **Restez alerte, attentif à vos mouvements et faites preuve de bon sens lorsque vous utilisez un outil électrique. Évitez d'utiliser un outil électrique si vous êtes fatigué ou si vous avez pris une drogue, de l'alcool ou un médicament.** Un moment d'inattention pendant l'utilisation d'un outil électrique peut entraîner une grave blessure.
11. **Portez des dispositifs de protection personnelle. Portez toujours un protecteur pour la vue.** Les risques de blessure seront moins élevés si vous utilisez des dispositifs de protection tels qu'un masque anti-poussières, des chaussures à semelle antidérapante, une coiffure résistante ou une protection d'oreilles.
12. **Évitez les démarrages accidentels. Assurez-vous que l'interrupteur soit en position d'arrêt avant de brancher l'outil à la prise électrique et/ou au bloc-piles, avant de prendre ou de transporter l'outil.** Vous ouvrez la porte aux accidents si vous transportez les outils électriques avec le doigt sur l'interrupteur ou si vous les branchez alors que l'interrupteur est en position de marche.
13. **Retirez toute clé de réglage ou de serrage avant de mettre l'outil sous tension.** Toute clé laissée en place sur une pièce rotative de l'outil électrique peut entraîner une blessure.

14. **Maintenez une bonne position. Assurez-vous d'une bonne prise au sol et d'une bonne position d'équilibre en tout temps.** Cela vous permettra d'avoir une meilleure maîtrise de l'outil dans les situations imprévues.
15. **Portez des vêtements adéquats. Ne portez ni vêtements amples ni bijoux. Vous devez maintenir cheveux, vêtements et gants à l'écart des pièces en mouvement.** Les pièces en mouvement peuvent happer les vêtements amples, les bijoux et les cheveux longs.
16. **Si des accessoires sont fournis pour raccorder un appareil d'aspiration et de collecte de la poussière, assurez-vous qu'ils sont correctement raccordés et qu'ils sont utilisés de manière adéquate.** L'utilisation d'un appareil d'aspiration permet de réduire les risques liés à la présence de poussière dans l'air.
26. **Lorsque vous n'utilisez pas le bloc-piles, rangez-le à l'écart des objets métalliques tels que trombones, pièces de monnaie, clés, clous, vis ou autres petits objets métalliques qui risquent d'établir une connexion entre les bornes.** La mise en court-circuit des bornes de batterie peut causer des brûlures ou un incendie.
27. **Dans des conditions d'utilisation inadéquates de la batterie, il peut y avoir fuite d'électrolyte; évitez tout contact avec ce liquide. En cas de contact accidentel, rincez avec beaucoup d'eau. Si le liquide pénètre dans vos yeux, il faut aussi consulter un médecin. L'électrolyte qui s'échappe de la batterie peut causer des irritations ou des brûlures.**

Utilisation et entretien des outils électriques

17. **Ne forcez pas l'outil électrique. Utilisez l'outil électrique adéquat suivant le type de travail à effectuer.** Si vous utilisez l'outil électrique adéquat et respectez le régime pour lequel il a été conçu, il effectuera un travail de meilleure qualité et de façon plus sécuritaire.
18. **N'utilisez pas l'outil électrique s'il n'est pas possible de mettre sa gâchette en position de marche et d'arrêt.** Un outil électrique dont l'interrupteur est défectueux représente un danger et doit être réparé.
19. **Débranchez la fiche de la source d'alimentation et/ou retirez le bloc-piles de l'outil électrique avant d'effectuer tout réglage, de changer un accessoire ou de ranger l'outil électrique.** De telles mesures préventives réduisent les risques de démarrage accidentel de l'outil électrique.
20. **Après l'utilisation d'un outil électrique, rangez-le hors de portée des enfants et ne laissez aucune personne l'utiliser si elle n'est pas familiarisée avec l'outil électrique ou les présentes instructions d'utilisation.** Les outils électriques représentent un danger entre les mains de personnes qui n'en connaissent pas le mode d'utilisation.
21. **Veillez à l'entretien des outils électriques. Assurez-vous que les pièces mobiles ne sont pas désalignées ou coincées, qu'aucune pièce n'est cassée et que l'outil électrique n'a subi aucun dommage affectant son bon fonctionnement. Le cas échéant, faites réparer l'outil électrique avant de l'utiliser.** De nombreux accidents sont causés par des outils électriques mal entretenus.
22. **Maintenez les outils tranchants bien aiguisés et propres.** Un outil tranchant dont l'entretien est effectué correctement et dont les bords sont bien aiguisés risquera moins de se coincer et sera plus facile à maîtriser.
23. **Utilisez l'outil électrique, ses accessoires, ses embouts, etc., en respectant les présentes instructions, en tenant compte des conditions de travail et du type de travail à effectuer.** L'utilisation d'un outil électrique à des fins autres que celles prévues peut entraîner une situation dangereuse.

Utilisation et entretien des outils alimentés par batterie

24. **Pour recharger, utilisez uniquement le chargeur spécifié par le fabricant.** L'utilisation d'un chargeur conçu pour un type donné de bloc-piles comporte un risque d'incendie lorsqu'il est utilisé avec un autre type de bloc-piles.
25. **N'utilisez un outil électrique qu'avec le bloc-piles conçu spécifiquement pour cet outil.** Il y a risque de blessure ou d'incendie si un autre bloc-piles est utilisé.

Réparation

28. **Faites réparer votre outil électrique par un réparateur qualifié qui utilise des pièces de rechange identiques aux pièces d'origine.** Le maintien de la sûreté de l'outil électrique sera ainsi assuré.
29. **Suivez les instructions de lubrification et de changement des accessoires.**
30. **Maintenez les poignées de l'outil sèches, propres et exemptes d'huile ou de graisse.**

CONSIGNES DE SÉCURITÉ POUR LA LAMELLEUSE SANS FIL

1. **Les lames doivent être réglées au minimum sur la vitesse indiquée sur l'outil.** Les lames tournant au-dessus de la vitesse nominale peuvent se détacher et causer des blessures.
2. **Utilisez toujours le protecteur.** Le protecteur protège l'utilisateur contre les fragments de lame cassée et contre tout contact accidentel avec la lame.
3. **Utilisez uniquement les lames spécifiées pour cet outil.**
4. **N'utilisez jamais l'outil sans que le couvercle de lame n'ait été refermé au préalable, et solidement verrouillé dans cette position.**
5. **Avant la mise en route, assurez-vous que la lame coulisse librement et sans entrave dans son logement.**
6. **Vérifiez attentivement la présence de fissures ou de dommages sur les fers avant d'utiliser l'outil. Remplacez immédiatement tout fer fissuré ou endommagé.**
7. **Assurez-vous que le flasque s'ajuste bien à l'orifice de l'arbre lorsque vous installez la lame.**
8. **Avant de travailler votre pièce, inspectez-la et retirez-en tous les clous ou matériaux autres que la pièce elle-même.**
9. **Placez toujours les pièces sur un établi stable.**
10. **Fixez fermement les pièces à travailler au moyen d'un dispositif de serrage ou d'un étiau.**
11. **Ne portez JAMAIS de gants pendant l'utilisation de cet outil.**
12. **Tenez l'outil fermement à deux mains.**
13. **Éloignez vos mains et votre corps de la zone de rainurage.**
14. **Faites tourner l'outil un instant, en ne pointant la lame vers personne. Soyez attentif à toute vibration ou sautellement pouvant indiquer que la lame n'est pas bien installée ou est mal équilibrée.**
15. **Ne placez jamais vos mains sous la pièce alors que la lame tourne.**
16. **Ne laissez pas l'outil tourner sans surveillance.**

17. Assurez-vous toujours que l'outil est hors tension et que sa batterie est retirée avant d'effectuer des réglages ou de remplacer la lame.
18. Certains matériaux contiennent des produits chimiques qui peuvent être toxiques. Prenez les précautions nécessaires pour éviter l'inhalation de ces poussières ou leur contact avec la peau. Conformez-vous aux consignes de sécurité du fournisseur du matériau.
19. N'utilisez pas les lames émoussées ou endommagées.
20. N'utilisez jamais l'outil avec des protecteurs endommagés.

CONSERVEZ CE MODE D'EMPLOI.

⚠ MISE EN GARDE : NE VOUS LAISSEZ PAS tromper (au fil d'une utilisation répétée) par un sentiment d'aisance ou de familiarité avec le produit en négligeant les consignes de sécurité qui accompagnent le produit. L'utilisation non sécuritaire ou incorrecte de cet outil comporte un risque de blessure grave.

Symboles

Les symboles utilisés pour l'outil sont indiqués ci-dessous.

V	volts
— — —	courant continu
n	vitesse nominale
n _e	vitesse à vide
... /min r /min	tours ou alternances par minute

CONSIGNES DE SÉCURITÉ IMPORTANTES

POUR LA BATTERIE

1. Avant d'utiliser la batterie, lisez toutes les instructions et précautions relatives (1) au chargeur de batterie, (2) à la batterie, et (3) à l'outil utilisant la batterie.
2. **Ne démontez pas la batterie.**
3. Cessez immédiatement l'utilisation si le temps de fonctionnement devient excessivement court. Il y a risque de surchauffe, de brûlures, voire d'explosion.
4. Si l'électrolyte pénètre dans vos yeux, rincez-les à l'eau claire et consultez immédiatement un médecin. Il y a risque de perte de la vue.
5. **Ne court-circuitez pas la batterie :**
 - (1) Ne touchez les bornes avec aucun matériau conducteur.
 - (2) Évitez de ranger la batterie dans un conteneur avec d'autres objets métalliques, par exemple des clous, des pièces de monnaie, etc.
 - (3) Évitez d'exposer la batterie à l'eau ou à la pluie.

Un court-circuit de la batterie pourrait provoquer un fort courant, une surchauffe, parfois des brûlures et même une panne.

6. **Ne rangez pas l'outil ou la batterie dans des endroits où la température risque d'atteindre ou de dépasser 50°C (122°F).**
7. **Ne jetez pas la batterie au feu même si elle est sérieusement endommagée ou complètement épuisée. La batterie peut exploser au contact du feu.**
8. **Prenez garde d'échapper ou de heurter la batterie.**
9. **N'utilisez pas une batterie si elle est endommagée.**
10. **Les batteries au lithium-ion contenues sont soumises aux exigences des lois applicables concernant les matières dangereuses.** Pour le transport commercial, p. ex. par des entreprises de transport tiers, il est nécessaire de respecter certaines mesures particulières ayant trait à l'emballage et à l'étiquetage. L'assistance d'un expert en matières dangereuses est requise pour la préparation de l'article à expédier. Veuillez également vous conformer aux réglementations nationales en vigueur qui pourraient être plus détaillées. Masquez les contacts découverts ou couvrez-les de ruban, et emballez la batterie de façon à ce qu'elle ne puisse se déplacer à l'intérieur du paquet.
11. **Suivez la réglementation locale concernant la mise au rebut de la batterie.**

CONSERVEZ CE MODE D'EMPLOI.

⚠ ATTENTION : Utilisez uniquement des batteries Makita d'origine.

L'utilisation de batteries autres que les batteries d'origine Makita ou de batteries qui ont été modifiées peut entraîner l'explosion de la batterie et provoquer des incendies, blessures et autres dommages. Cela annulerait également la garantie de Makita s'appliquant à l'outil Makita et au chargeur.

Conseils pour obtenir la durée de service maximale de la batterie

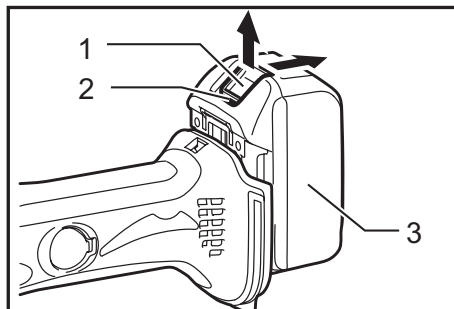
1. **Rechargez la batterie avant qu'elle ne soit complètement déchargée.** Arrêtez toujours l'outil et rechargez la batterie quand vous remarquez que la puissance de l'outil diminue.
2. **Ne rechargez jamais une batterie complètement chargée.** La surcharge réduit la durée de service de la batterie.
3. **Rechargez la batterie à une température ambiante comprise entre 10°C et 40°C (50°F - 104°F).** Si la batterie est chaude, laissez-la refroidir avant de la recharger.
4. **Rechargez la batterie si vous ne l'utilisez pas pendant une période prolongée (plus de six mois).**

DESCRIPTION DU FONCTIONNEMENT

⚠ ATTENTION :

- Assurez-vous toujours que l'outil est hors tension et que sa batterie est retirée avant de l'ajuster ou de vérifier son fonctionnement.

Installation ou retrait de la batterie



► 1. Bouton 2. Indicateur rouge 3. Batterie

⚠ ATTENTION :

- Mettez toujours l'appareil hors tension avant d'installer ou de retirer la batterie.
- **Tenez fermement l'outil et la batterie lors de l'installation ou du retrait de cette dernière.** Sinon, l'outil et la batterie pourraient vous glisser des mains, ce qui risque d'endommager l'outil et la batterie, ou encore de provoquer des blessures.

Pour retirer la batterie, faites-la glisser de l'outil tout en faisant glisser le bouton se trouvant à l'avant. Pour installer la batterie, alignez sa languette sur la rainure pratiquée dans le boîtier, et glissez la batterie en place. Insérez-la à fond jusqu'à ce que vous entendiez un clic. Si vous pouvez voir l'indicateur rouge situé sur le dessus du bouton, la batterie n'est pas complètement verrouillée.

⚠ ATTENTION :

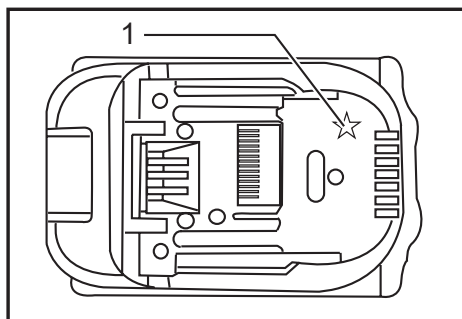
- Installez toujours la batterie à fond jusqu'à ce que vous ne puissiez plus voir l'indicateur rouge. Dans le cas contraire, elle pourrait tomber de l'outil et entraîner des blessures.
- Ne forcez pas sur la batterie pour l'installer. Si la batterie ne glisse pas facilement, c'est qu'elle n'est pas insérée correctement.

Système de protection de la batterie

L'outil est équipé d'un système de protection de la batterie. Ce système coupe automatiquement l'alimentation du moteur pour augmenter la durée de vie de la batterie. L'outil s'arrête automatiquement pendant l'utilisation lorsque l'outil et/ou la batterie sont dans l'une des situations suivantes :

- **En surcharge :**
L'outil est utilisé d'une manière entraînant une consommation anormale de courant. Si une telle situation se présente, mettez l'outil hors tension et cessez l'application ayant provoqué la surcharge de l'outil. Mettez ensuite l'outil en position de marche pour le redémarrer.
Si l'outil ne démarre pas, il y a surchauffe de la batterie. Si tel est le cas, laissez la batterie refroidir avant de remettre l'outil en marche.
- **Tension de la batterie faible :**
La capacité restante de la batterie est trop faible pour que l'outil puisse fonctionner. Dans cette situation, retirez et rechargez la batterie.

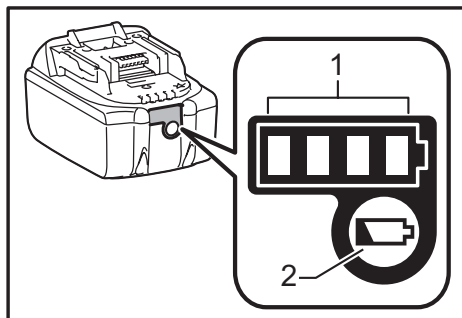
NOTE : La protection de surchauffe fonctionne uniquement avec les batteries comportant un repère en forme d'étoile.



► 1. Étoile

Affiche la capacité restante de la batterie

(Uniquement pour les batteries dont le numéro de modèle se termine par « B ».)



► 1. Témoins 2. Bouton CHECK

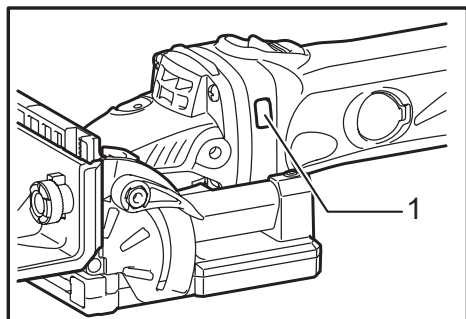
Appuyez sur le bouton de vérification sur la batterie pour afficher la capacité résiduelle de la batterie. Les témoins s'allument pendant quelques secondes.

Témoins			Capacité résiduelle
Allumé	ARRÊT	Clignotement	
■	■	■	75 % à 100 %
■	■	□	50 % à 75 %
■	□	□	25 % à 50 %
■	□	□	0 % à 25 %
▬	□	□	Chargez la batterie.
■	■	□	La batterie peut avoir présenté un défaut de fonctionnement.
□	□	■	

NOTE :

- Selon les conditions d'utilisation et la température ambiante, il est possible que la capacité relevée soit légèrement différente par rapport à la capacité réelle.

Témoin d'indication à fonctions multiples



► 1. Voyant lumineux

Les témoins d'indication se trouvent en deux positions. Lorsque la batterie est insérée dans l'outil avec l'interrupteur à glissière sur la position "O" (arrêt), le témoin d'indication clignote rapidement pendant environ une seconde. S'il ne clignote pas ainsi, la batterie ou le témoin indicateur est cassé.

— **Dispositif de protection contre la surcharge**

- Lorsque l'outil est soumis à une surcharge, le témoin d'indication s'allume, le témoin s'éteint lorsque la charge diminue.
- Si l'outil demeure soumis à une surcharge et que le témoin d'indication demeure allumé pendant environ deux secondes, l'outil s'arrête. Cela permet d'éviter que le moteur et les pièces qui lui sont liées ne subissent des dommages.
- Le cas échéant, pour redémarrer l'outil, déplacez l'interrupteur à glissière sur la position "O" (arrêt) une fois pour ramenez-le sur la position "I" (marche).

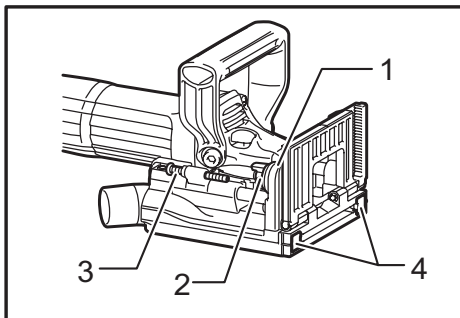
— **Signal de remplacement de la batterie**

- Lorsque la charge restante de la batterie devient faible, le témoin indicateur s'allume pendant l'opération plus tôt que lorsque la charge est encore suffisante.

— **Fonction de prévention du redémarrage accidentel**

- L'outil ne démarre pas même si la batterie y est insérée et que l'interrupteur à glissière se trouve en position "I" (marche). Le témoin clignote alors lentement pour indiquer que la fonction de prévention du redémarrage accidentel est activée.
- Pour mettre l'outil en marche, glissez d'abord l'interrupteur à glissière vers la position "O" (arrêt) puis glissez-le vers la position "I" (marche).

Réglage de la profondeur de rainure



► 1. Index 2. Butoir 3. Vis de réglage 4. Crampon en caoutchouc

6 profondeurs de rainure peuvent être pré-réglées selon la taille de lamelle utilisée.

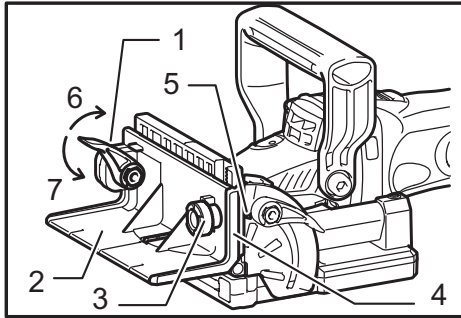
Référez-vous au tableau ci-dessous pour voir la correspondance entre les tailles marquées sur la butée et la taille de lamelle. Il est possible d'ajuster précisément la profondeur de rainure en tournant la vis de réglage après avoir desserré l'écrou hexagonal. Cela peut être nécessaire quand la lame a été réaffûtée plusieurs fois.

Taille sur la butée	0	10	20	L	D	MAX
Taille de lamelle	0	10	20	—	—	—
Profondeur de rainure	8 mm (0,3")	10 mm (0,4")	12,3 mm (0,48")	13 mm (0,51")	14,7 mm (0,58")	20 mm* (0,8")

* Une fois les crampons en caoutchouc retirés.

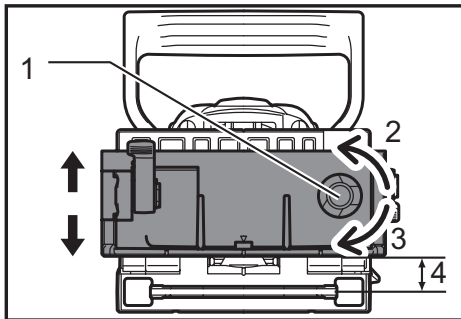
Guide d'angle

La hauteur du guide d'angle peut être augmentée ou réduite pour régler la position de la lame en fonction de la hauteur de la pièce.



- 1. Levier de verrouillage 2. Guidage d'angle
3. Bouton 4. Échelle 5. Index 6. Serrer 7. Desserrer

Pour ajuster la hauteur du guide d'angle, desserrez le levier de verrouillage et tournez le bouton jusqu'à ce que l'index pointe sur la valeur d'échelle désirée marquée sur le guide d'angle.



- 1. Bouton 2. Pour descendre 3. Pour monter 4. Plan médian de l'épaisseur de la lame

Puis serrez le levier de verrouillage pour immobiliser le guide d'angle.

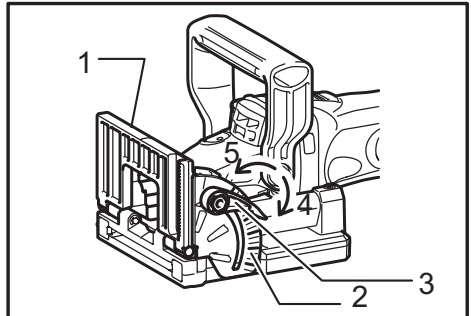
L'échelle graduée du guide d'angle indique la distance qui sépare le dessus de la pièce à travailler du plan médian de l'épaisseur de la lame.

Le guide d'angle peut être retiré de la plaque frontale selon la tâche que vous devez effectuer. Pour retirer le guide d'angle, desserrez le levier de verrouillage et tournez le bouton dans le sens des aiguilles d'une montre jusqu'à ce qu'il sorte de la partie supérieure de la plaque frontale.

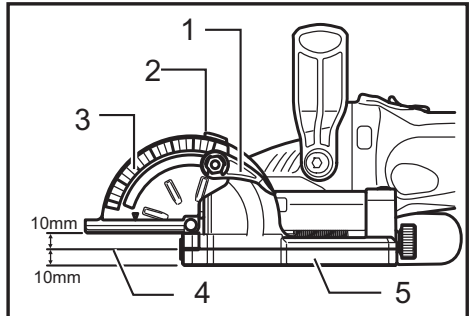
Plaque frontale

NOTE :

- Retirez le guide d'angle selon la tâche que vous devez effectuer lorsque vous utilisez l'outil avec l'angle de la plaque frontale ajusté sur une valeur différente de 0°. Lorsque vous devez utiliser le guide d'angle dans les conditions susmentionnées, assurez-vous d'ajuster l'outil sur une profondeur de rainure correcte.



- 1. Plaque frontale 2. Secteur angulaire 3. Levier de verrouillage 4. Serrer 5. Desserrer

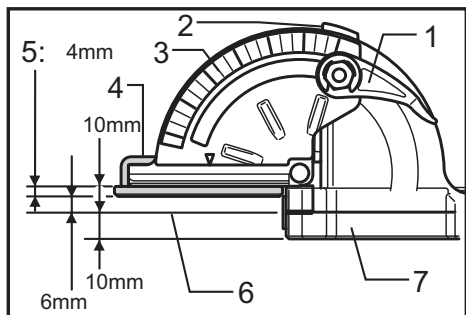


- 1. Levier de verrouillage 2. Index 3. Secteur angulaire 4. Plan médian de l'épaisseur de la lame 5. Couvercle de lame

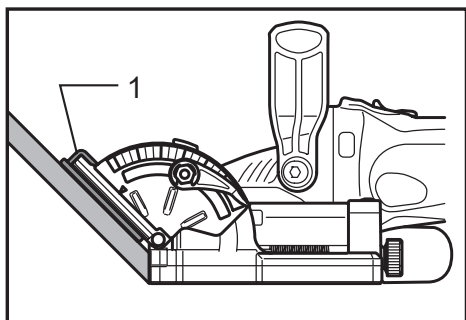
Vous pouvez ajuster l'angle de la plaque frontale sur une plage de 0° à 90° (avec des arrêts fixes sur 0°, 45° et 90°). Pour ajuster l'angle, desserrez le levier de verrouillage et inclinez la plaque frontale jusqu'à ce que l'index soit pointé sur la valeur désirée sur le secteur angulaire. Serrez ensuite le levier de verrouillage fermement pour immobiliser la plaque frontale.

Lorsque la plaque frontale est réglée sur 90°, la distance entre le centre de l'épaisseur de la lame et la plaque frontale et la distance entre le centre de l'épaisseur de la lame et le bas du couvercle de lame sont de 10 mm (0,4").

Plaque de fixation



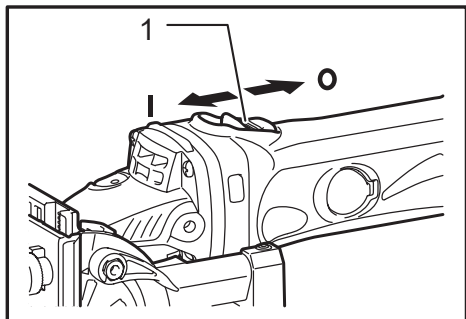
- 1. Levier de verrouillage 2. Index 3. Secteur angulaire 4. Plaque de fixation 5. Épaisseur de la plaque de fixation 6. Plan médian de l'épaisseur de la lame 7. Couvercle de lame



- 1. Plaque de fixation

Utilisez la plaque de fixation de la façon indiquée sur les figures lorsque vous coupez des entailles dans des pièces minces.

Interrupteur



- 1. Interrupteur à glissière

ATTENTION :

- Avant d'installer la batterie dans l'outil, vérifiez toujours que l'interrupteur à glissière fonctionne correctement et qu'il revient en position "OFF" quand vous en relâchez l'arrière.
- Pour rendre le travail de l'utilisateur plus confortable lors d'une utilisation prolongée, l'interrupteur peut être verrouillé en position de marche. Soyez prudent lorsque vous verrouillez l'outil en position de marche, et maintenez une poigne solide sur l'outil.

Pour mettre l'outil en marche, faites glisser l'interrupteur à glissière vers la position d'"(ON)". Pour une utilisation continue, appuyez sur la partie avant de l'interrupteur à glissière pour le verrouiller.

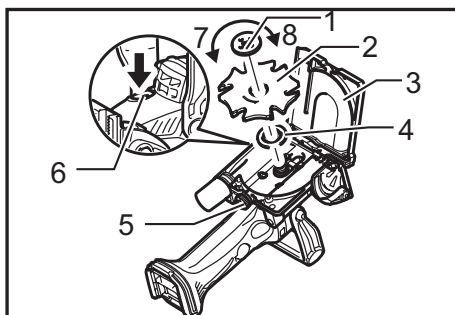
Pour arrêter l'outil, appuyez sur la partie arrière de l'interrupteur à glissière, puis faites-le glisser vers la position d'"(OFF)".

ASSEMBLAGE

ATTENTION :

- Assurez-vous toujours que l'outil est hors tension et que sa batterie est retirée avant d'effectuer tout travail dessus.

Pose et dépose de la lame



- 1. Contre-écrou 2. Lame pour lamelleuse 3. Couvercle de lame 4. Bague interne 5. Vis de serrage 6. Verrouillage de l'arbre 7. Desserrer 8. Serrer

ATTENTION :

- Lors de l'installation de la lame pour lamelleuse, montez le flasque intérieur avec le côté indiquant « 22 » tourné vers vous.

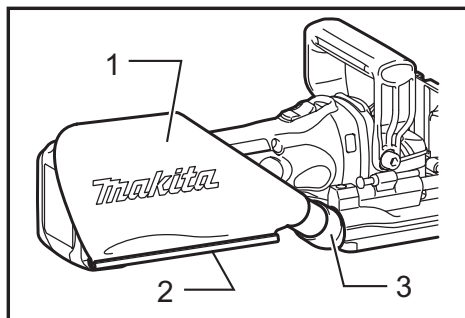
Pour retirer la lame, desserrez le vis de serrage et ouvrez le couvercle de lame. Appuyez sur le blocage de l'arbre et desserrez le contre-écrou avec la clé à contre-écrou. Pour installer la lame, montez d'abord le flasque intérieur.

Montez ensuite la lame et le contre-écrou. Serrez fermement le contre-écrou avec la clé à contre-écrou. Fermez le couvercle de lame et serrez la vis de serrage pour immobiliser le couvercle de lame.

⚠ ATTENTION :

- Utilisez exclusivement la clé à contre-écrou Makita fournie pour retirer ou installer la lame.
- Vérifiez toujours la profondeur de rainure après avoir remplacé la lame. Réajustez-la si nécessaire.

Sac à poussières



- 1. Sac à poussières 2. Pièce de fixation 3. Raccord à poussières

Pour fixer le sac à poussières, insérez-le dans le raccord à poussières. Si le sac à poussière nuit à l'exécution de votre travail, tournez le raccord à poussières pour changer la position du sac. Lorsque le sac à poussières est rempli environ à la moitié de sa capacité, mettez l'outil hors tension et retirez la batterie. Retirez le sac à poussières de l'outil et tirez sur la fixation du sac pour la retirer. Videz le sac à poussières en le tapotant pour extraire le plus de poussières possible.

NOTE :

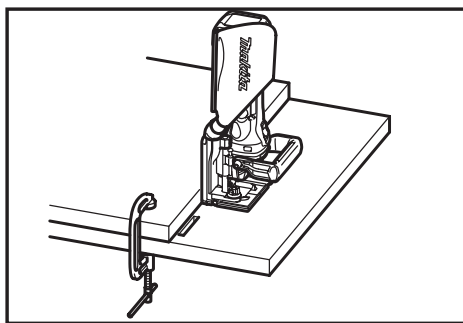
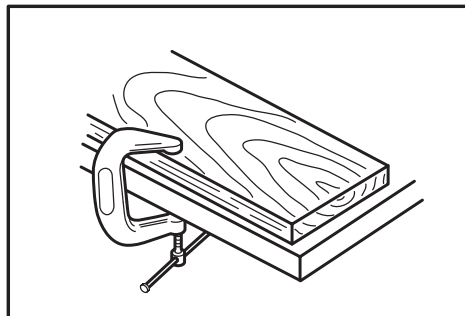
- Si vous raccordez votre lamelleuse à un aspirateur MAKITA, votre travail gagnera en propreté et en efficacité.

UTILISATION

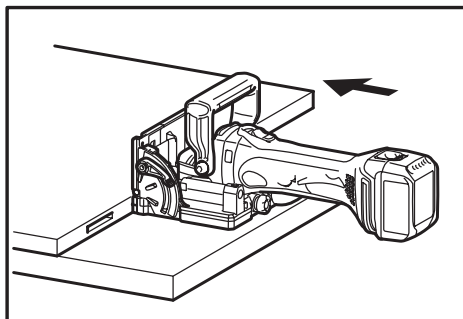
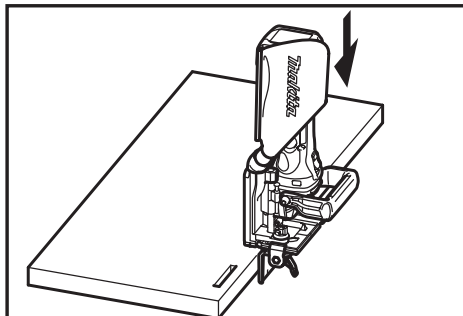
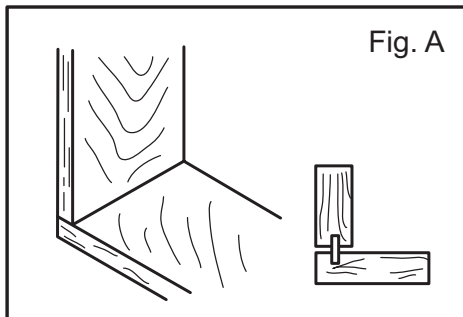
Pour effectuer des assemblages

⚠ MISE EN GARDE :

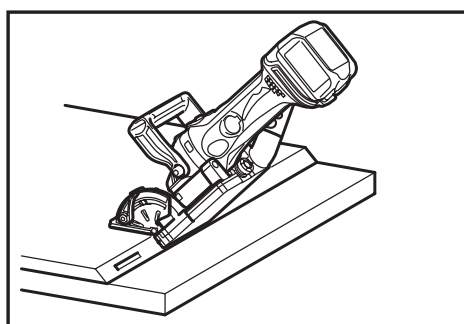
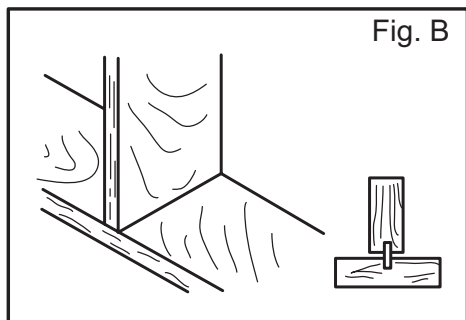
- Fixez toujours la pièce à l'établi avant chaque opération.



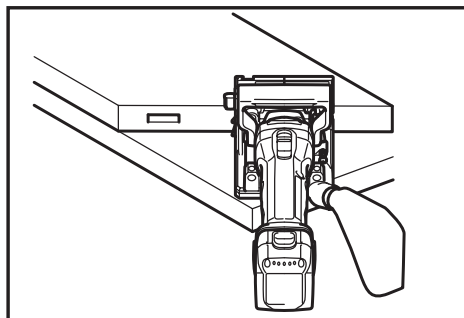
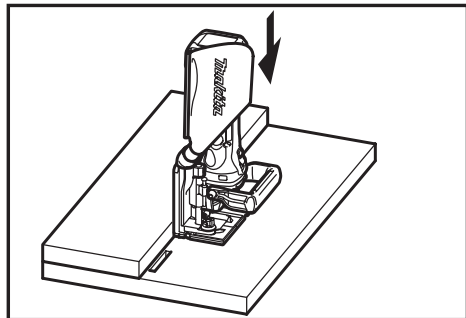
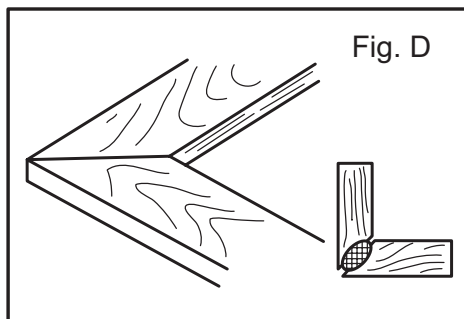
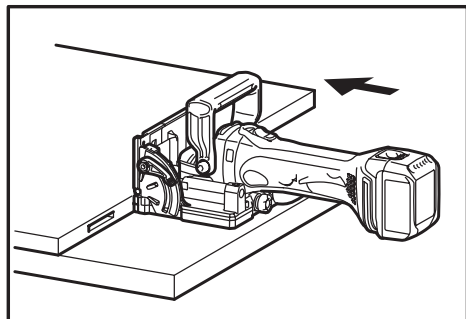
Assemblage en angle (Fig. A)



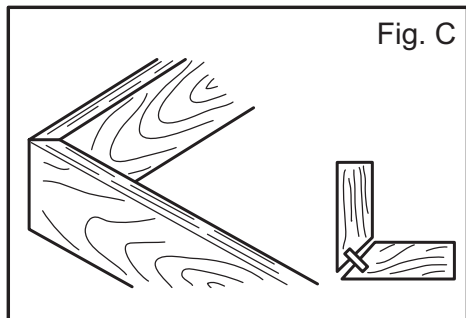
Assemblage en T (Fig. B)



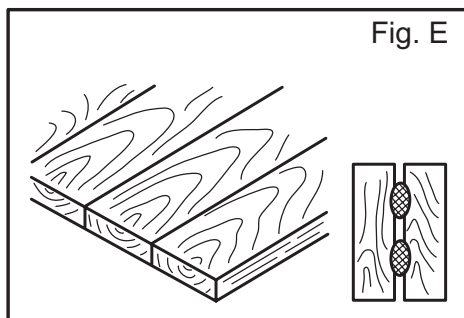
Assemblage de cadre (Fig. D)

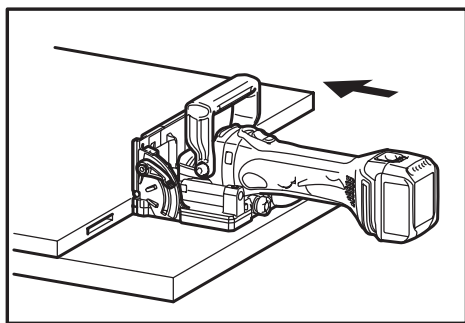


Assemblage à onglet (Fig. C)



Assemblage chant sur chant (Fig. E)





Pour effectuer des assemblages, procédez comme suit :

1. Présentez les deux pièces dans la position qui sera la leur une fois l'assemblage réalisé.
2. Marquez le centre des rainures de lamelle prévues sur la pièce avec un crayon.

NOTE :

- Le centre des rainures doit être au moins à 50 mm (2") du bord extérieur des pièces.
- Laissez un espace de 100 mm à 150 mm (4" à 6") entre les rainures si vous installez plusieurs lamelles.

3. **Pour assemblage en angle et assemblage en T uniquement**

Fixez la pièce verticale sur l'établi.

Pour assemblage à onglet uniquement

Fixez une pièce sur l'établi avec le bord en onglet orienté vers le haut.

Pour assemblage à cadre et assemblage chant sur chant uniquement

Fixez une pièce sur l'établi.

4. Réglez la profondeur de rainure en fonction de la taille de lamelle utilisée. Reportez-vous au tableau dans la section « Réglage de la profondeur de rainure ».
5. Ajustez la hauteur du guide d'angle de sorte que la lame soit centrée sur le plan médian de l'épaisseur.
6. Alignez la marque centrale de la base sur la ligne tracée au crayon sur la pièce à travailler.
7. Mettez l'outil en marche et poussez-le doucement vers l'avant pour que la lame atteigne la pièce à travailler.
8. Ramenez doucement l'outil sur sa position initiale après que la vis de réglage ait atteint la butée.
9. **Pour assemblage en angle et assemblage en T uniquement**

Fixez la pièce horizontale sur l'établi.

Pour assemblage à onglet uniquement

Fixez l'autre pièce sur l'établi avec le bord en onglet orienté vers le haut.

Pour assemblage à cadre et assemblage chant sur chant uniquement

Fixez l'autre pièce sur l'établi.

10. **Pour assemblage en angle uniquement**

Placez l'outil sur la pièce de sorte que la lame soit orientée vers le bas.

Pour assemblage en T uniquement

Enlevez le guide d'angle de la machine. Placez la machine sur la pièce de façon à ce que la lame soit tournée vers le bas.

11. Répétez les étapes 6 à 8 pour rainurer à l'horizontale ou l'autre pièce.

Si vous n'avez pas besoin de centrer la lame dans l'épaisseur de la planche, procédez comme suit :

Pour assemblage en angle, assemblage à onglet, assemblage à cadre et assemblage chant sur chant uniquement

- Retirez le guide d'angle de l'outil. Réglez la plaque frontale sur 90° pour l'assemblage en angle, l'assemblage à cadre et l'assemblage chant sur chant, ou sur 45° pour l'assemblage à onglet.
- Suivez les étapes 1 - 11 sauf les étapes 5 et 10 décrites ci-dessus.

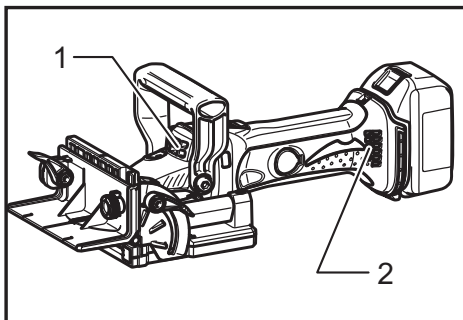
Pour assemblage en T uniquement

- Présentez les deux pièces dans la position qui sera la leur une fois l'assemblage réalisé.
- Disposez la pièce verticale sur la pièce horizontale. Fixez les deux pièces à l'établi.
- Enlevez le guide d'angle de la machine.
- Suivez les étapes 2, 4, 6, 7, 8 et 11 décrites ci-dessus.

ENTRETIEN

⚠ ATTENTION :

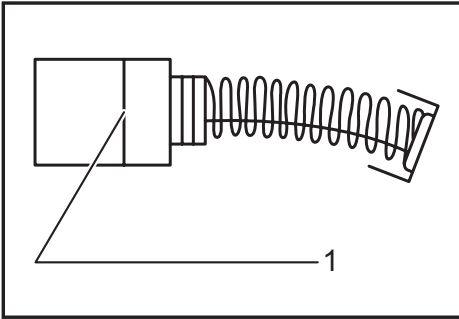
- Assurez-vous toujours que l'outil est hors tension et que la batterie est retirée avant d'effectuer tout travail d'inspection ou d'entretien.
- N'utilisez jamais d'essence, de benzine, de solvant, d'alcool ou d'autres produits similaires. Une décoloration, une déformation, ou la formation de fissures peuvent en découler.



► 1. Orifice de sortie d'air 2. Orifice d'entrée d'air

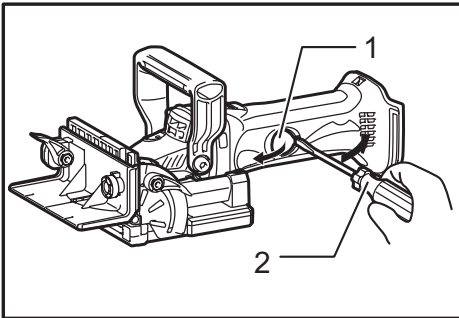
L'outil et ses orifices d'aération doivent être maintenus propres. Nettoyez régulièrement les orifices d'aération de l'outil, ou chaque fois qu'ils commencent à se boucher.

Remplacement des charbons



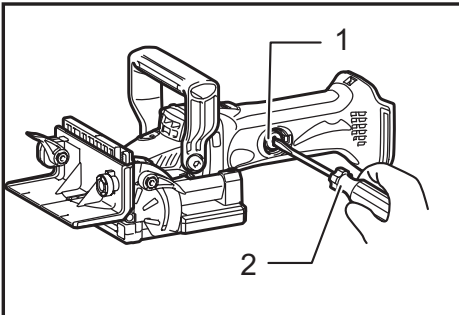
► 1. Trait de limite d'usure

Retirez et vérifiez régulièrement les charbons. Remplacez-les lorsqu'ils sont usés jusqu'au trait de limite d'usure. Maintenez les charbons propres et en état de glisser aisément dans les porte-charbon. Les deux charbons doivent être remplacés en même temps. N'utilisez que des charbons identiques. Insérez l'extrémité du tournevis à bout fendu dans l'entaille de l'outil et retirez le couvercle de porte-charbon en le soulevant.



► 1. Couvercle de porte-charbon 2. Tournevis

Utilisez un tournevis pour retirer les bouchons de porte-charbon. Enlevez les charbons usés, insérez-en de nouveaux et revissez solidement les bouchons de porte-charbon.



► 1. Bouchon de porte-charbon 2. Tournevis

Remettez le couvercle de porte-charbon en place sur l'outil.

Pour maintenir la SÉCURITÉ et la FIABILITÉ du produit, les réparations, tout autre travail d'entretien ou de réglage doivent être effectués dans un centre de service Makita agréé ou un centre de service de l'usine Makita, exclusivement avec des pièces de rechange Makita.

ACCESSOIRES EN OPTION

⚠ ATTENTION :

- Ces accessoires ou pièces complémentaires sont recommandés pour l'utilisation avec l'outil Makita spécifié dans ce mode d'emploi. L'utilisation de tout autre accessoire ou pièce complémentaire peut comporter un risque de blessure. N'utilisez les accessoires ou pièces qu'aux fins auxquelles ils ont été conçus.

Si vous désirez obtenir plus de détails concernant ces accessoires, veuillez contacter le centre de service après-vente Makita le plus près.

- Guide d'angle
- Sac à poussières
- Plaque de fixation
- Clé à contre-écrou
- Lames de la lamelleuse
- Chargeur et batterie authentiques Makita

NOTE :

- Certains éléments de la liste peuvent être inclus avec l'outil comme accessoires standard. Ils peuvent varier suivant les pays.

GARANTIE LIMITÉE MAKITA

Pour les conditions de garantie en vigueur qui s'appliquent à ce produit, veuillez vous reporter à la feuille de garantie en annexe. Si la feuille de garantie en annexe n'est pas disponible, reportez-vous aux détails de la garantie présentés sur le site Web de votre pays, ci-dessous.

États-Unis d'Amérique: www.makitatools.com

Canada: www.makita.ca

Autres pays: www.makita.com

ESPECIFICACIONES

Modelo		DPJ180
Tamaño del disco	Disco de engalletadora (diámetro exterior x ancho x diámetro del eje)	100 mm x 4 mm x 22 mm
		(4" x 5/32" x 7/8")
Profundidad máxima de ranurado		20 mm (3/4")
Velocidad sin carga (r.p.m.)		6 500 r/min
Longitud total		351 mm (13-3/4")
Peso neto		3,0 kg (6,7 lbs)
Tensión nominal		18 V c.c.
Cartucho de batería estándar		BL1815N / BL1820B / BL1830 / BL1830B / BL1840B / BL1850B / BL1860B

- Debido a nuestro programa continuo de investigación y desarrollo, las especificaciones aquí dadas están sujetas a cambios sin previo aviso.
- Las especificaciones y el cartucho de la batería pueden variar de país a país.
- Peso de acuerdo al procedimiento de EPTA-01/2003 incluyendo el cartucho de la batería

Advertencias de seguridad generales para herramientas eléctricas

⚠ADVERTENCIA: lea todas las advertencias de seguridad e instrucciones. Si no sigue todas las advertencias e instrucciones indicadas a continuación, podrá ocasionar una descarga eléctrica, un incendio y/o lesiones graves.

Guarde todas las advertencias e instrucciones para su futura referencia.

El término "herramienta eléctrica" se refiere, en todas las advertencias que aparecen a continuación, a su herramienta eléctrica de funcionamiento con conexión a la red eléctrica (con cableado eléctrico) o herramienta eléctrica de funcionamiento a batería (inalámbrica).

Seguridad en el área de trabajo

1. **Mantenga el área de trabajo limpia y bien iluminada.** Las áreas oscuras o desordenadas son propensas a accidentes.
2. **No utilice las herramientas eléctricas en atmósferas explosivas, tal como en la presencia de líquidos, gases o polvo inflamables.** Las herramientas eléctricas crean chispas que pueden prender fuego al polvo o los humos.
3. **Mantenga a los niños y curiosos alejados mientras utiliza una herramienta eléctrica.** Las distracciones le pueden hacer perder el control.

Seguridad eléctrica

4. **Las clavijas de conexión de las herramientas eléctricas deberán encajar perfectamente en la toma de corriente. No modifique nunca la clavija de conexión de ninguna forma. No utilice ninguna clavija adaptadora con herramientas eléctricas que tengan conexión a tierra (puesta a tierra).** La utilización de clavijas no modificadas y que encajen perfectamente en la toma de corriente reducirá el riesgo de que se produzca una descarga eléctrica.

5. **Evite tocar con el cuerpo superficies conectadas a tierra o puestas a tierra tales como tubos, radiadores, cocinas y refrigeradores.** Si su cuerpo es puesto a tierra o conectado a tierra existirá un mayor riesgo de que sufra una descarga eléctrica.
6. **No exponga las herramientas eléctricas a la lluvia ni a condiciones húmedas.** La entrada de agua en una herramienta eléctrica aumentará el riesgo de que se produzca una descarga eléctrica.
7. **No jale el cable. Nunca utilice el cable para transportar, jalar o desconectar la herramienta eléctrica. Mantenga el cable alejado del calor, aceite, objetos cortantes o piezas móviles.** Los cables dañados o atrapados aumentan el riesgo de sufrir una descarga eléctrica.
8. **Cuando utilice una herramienta eléctrica en exteriores, utilice un cable de extensión apropiado para uso en exteriores.** La utilización de un cable apropiado para uso en exteriores reducirá el riesgo de que se produzca una descarga eléctrica.
9. **Si no es posible evitar usar una herramienta eléctrica en condiciones húmedas, utilice un alimentador protegido con interruptor de circuito de falla en tierra (ICFT).** El uso de un ICFT reduce el riesgo de descarga eléctrica.

Seguridad personal

10. **Manténgase alerta, preste atención a lo que está haciendo y utilice su sentido común cuando opere una herramienta eléctrica. No utilice la herramienta eléctrica cuando esté cansado o bajo la influencia de drogas, alcohol o medicamentos.** Un momento de distracción mientras opera la máquina puede dar como resultado heridas personales graves.
11. **Use equipo de protección personal. Póngase siempre protección para los ojos.** El equipo protector tal como máscara contra el polvo, zapatos de seguridad antiderrapantes, casco rígido y protección para oídos utilizado en las condiciones apropiadas reducirá las heridas personales.

12. **Impida el encendido accidental. Asegúrese de que el interruptor esté en la posición de apagado antes de conectar a la alimentación eléctrica y/o de colocar el cartucho de la batería, así como al levantar o cargar la herramienta.** Cargar las herramientas eléctricas con su dedo en el interruptor o enchufarlas con el interruptor encendido hace que los accidentes sean propensos.
13. **Retire cualquier llave de ajuste o llave de apriete antes de encender la herramienta.** Una llave de ajuste o llave de apriete que haya sido dejada puesta en una parte giratoria de la herramienta eléctrica podrá resultar en heridas personales.
14. **No utilice la herramienta donde no alcance. Mantenga los pies sobre suelo firme y el equilibrio en todo momento.** Esto permite un mejor control de la herramienta eléctrica en situaciones inesperadas.
15. **Use vestimenta apropiada. No use ropas sueltas ni joyas. Mantenga el cabello, la ropa y los guantes alejados de las piezas móviles.** Las prendas de vestir holgadas, las joyas y el cabello suelto podrían engancharse en estas piezas móviles.
16. **Si dispone de dispositivos para la conexión de equipos de extracción y recolección de polvo, asegúrese de conectarlos y utilizarlos debidamente.** La utilización de estos dispositivos reduce los riesgos relacionados con el polvo.

Mantenimiento y uso de la herramienta eléctrica

17. **No fuerce la herramienta eléctrica. Utilice la herramienta eléctrica correcta para su aplicación.** La herramienta eléctrica adecuada hará un trabajo mejor a la velocidad para la que ha sido fabricada.
18. **No utilice la herramienta eléctrica si el interruptor no la enciende y apaga.** Cualquier herramienta eléctrica que no pueda ser controlada con el interruptor es peligrosa y debe ser reemplazada.
19. **Desconecte la clavija de la fuente de energía y/o la batería de la herramienta eléctrica antes de realizar ajustes, cambiar accesorios o guardar las herramientas eléctricas.** Dichas medidas de seguridad preventivas reducen el riesgo de que la herramienta se inicie accidentalmente.
20. **Guarde la herramienta eléctrica que no use fuera del alcance de los niños y no permita que las personas que no están familiarizadas con ella o con las instrucciones la operen.** Las herramientas eléctricas son peligrosas en manos de personas que no saben operarlas.
21. **Realice el mantenimiento a las herramientas eléctricas. Compruebe que no haya partes móviles desalineadas o estancadas, piezas rotas y cualquier otra condición que pueda afectar al funcionamiento de la herramienta eléctrica. Si la herramienta eléctrica está dañada, haga que se la reparen antes de utilizarla.** Muchos accidentes son ocasionados por herramientas eléctricas con un mal mantenimiento.

22. **Mantenga las herramientas de corte limpias y filosas.** Si recibe un mantenimiento adecuado y tiene los bordes afilados, es probable que la herramienta se atasque menos y sea más fácil controlarla.
23. **Utilice la herramienta eléctrica, así como accesorios, piezas, brocas, etc. de acuerdo con estas instrucciones y de la manera establecida para cada tipo de unidad en particular; tenga en cuenta las condiciones laborales y el trabajo a realizar.** Si utiliza la herramienta eléctrica para realizar operaciones distintas de las indicadas, podrá presentarse una situación peligrosa.

Uso y cuidado de la herramienta a batería

24. **Realice la recarga sólo con el cargador especificado por el fabricante.** Un cargador que es adecuado para un solo tipo de batería puede generar riesgo de incendio al ser utilizado con otra batería.
25. **Utilice las herramientas eléctricas solamente con las baterías designadas específicamente para ellas.** La utilización de cualquier otra batería puede crear un riesgo de heridas o incendio.
26. **Cuando no se esté usando el cartucho de la batería, manténgalo alejado de otros objetos metálicos, como sujetapapeles (clips), monedas, llaves, clavos, tornillos u otros objetos pequeños de metal los cuales pueden actuar creando una conexión entre las terminales de la batería.** Cerrar el circuito de las terminales de la batería puede causar quemaduras o incendios.
27. **En condiciones abusivas, podrá escapar líquido de la batería; evite tocarlo. Si lo toca accidentalmente, enjuague con agua. Si hay contacto del líquido con los ojos, acuda por ayuda médica.** Puede que el líquido expulsado de la batería cause irritación o quemaduras.

Servicio de mantenimiento

28. **Haga que una persona calificada repare la herramienta utilizando sólo piezas de repuesto idénticas.** Esto asegura que se mantenga la seguridad de la herramienta eléctrica.
29. **Siga las instrucciones para la lubricación y cambio de accesorios.**
30. **Mantenga las agarraderas secas, limpias y sin aceite o grasa.**

ADVERTENCIAS DE SEGURIDAD PARA LA ENGALLETADORA INALÁMBRICA

1. **Los discos deberán tener una especificación de al menos la velocidad que se indica por la herramienta.** Los discos que se ejecuten a una velocidad superior a la especificada pueden desintegrarse y ocasionar lesiones.
2. **Siempre use la cubierta protectora.** La cubierta protectora protege al operador contra fragmentos rotos del disco cortador y del contacto accidental con el mismo.
3. **Use solo discos cortadores especificados para esta herramienta.**
4. **Nunca opere la herramienta con el disco cortador bloqueado en posición descubierta o sin la cubierta protectora en su lugar.**

5. Asegúrese de que el disco cortador se desliza con agilidad antes de la operación.
6. Inspeccione los discos cortadores cuidadosamente para ver si hay grietas o daños antes de comenzar la operación. Reemplace los discos cortadores inmediatamente si se agrietan o dañan.
7. Asegúrese que la brida encaje en el hueco del enrejado al instalar el disco cortador.
8. Inspeccione y elimine todos los clavos y objetos extraños de las piezas de trabajo antes de la operación.
9. Siempre coloque las piezas de trabajo sobre una mesa de trabajo estable.
10. Fije las piezas de trabajo con firmeza con la abrazadera o con el tornillo de la mesa de trabajo.
11. **NO SE PONGA NUNCA** guantes para trabajar con la herramienta.
12. Sujete la herramienta firmemente con ambas manos.
13. Mantenga sus manos y cuerpo alejados de la sección de ranurado.
14. Ejecute la herramienta por un momento sin apuntar el disco cortador a nadie. Observe si hay vibración o tambaleo que pudiera indicar una mala instalación o alineación del disco cortador.
15. Nunca sujete las piezas de trabajo por debajo mientras el disco cortador esté girando.
16. No deje la herramienta en marcha sin supervisión.
17. Siempre asegúrese de que la herramienta esté apagada y el cartucho de batería extraído antes de realizar cualquier ajuste o reemplazo del disco cortador.
18. Algunos materiales contienen sustancias químicas que pueden ser tóxicas. Tome precauciones para evitar la inhalación de polvo o que éste tenga contacto con la piel. Consulte la información de seguridad del proveedor de los materiales.
19. Evite el uso de discos cortadores desafilados o dañados.
20. Evite el uso de la herramienta con las protecciones dañadas.

GUARDE ESTAS INSTRUCCIONES.

⚠ADVERTENCIA: NO DEJE que la comodidad o familiaridad con el producto (a base de utilizarlo repetidamente) sustituya la estricta observancia de las normas de seguridad para dicho producto. El MAL USO o el no seguir las normas de seguridad establecidas en este manual de instrucciones puede ocasionar graves lesiones personales.

Símbolos

A continuación se muestran los símbolos utilizados para la herramienta.

V	volts o voltios
— — —	corriente directa o continua
n	velocidad indicada
n _o	velocidad en vacío o sin carga
.../min r/min	revoluciones o alternaciones por minuto, frecuencia de rotación

INSTRUCCIONES IMPORTANTES DE SEGURIDAD

PARA CARTUCHO DE BATERÍA

1. Antes de utilizar el cartucho de batería, lea todas las instrucciones e indicaciones de precaución sobre (1) el cargador de baterías, (2) la batería, y (3) el producto con el que se utiliza la batería.
2. No desarme el cartucho de batería.
3. Si el tiempo de operación se ha acortado en exceso, deje de operar de inmediato. Podría correrse el riesgo de sobrecalentamiento, posibles quemaduras e incluso explosión.
4. En caso de que ingresen electrolitos en sus ojos, enjuáguelos bien con agua limpia y consulte de inmediato a un médico. Podría perder la visión.
5. No cortocircuite el cartucho de batería:
 - (1) No toque las terminales con ningún material conductor.
 - (2) Evite guardar el cartucho de batería en un cajón junto con otros objetos metálicos, tales como clavos, monedas, etc.
 - (3) No exponga la batería de cartucho a la lluvia o nieve.

Un corto circuito en la batería puede causar un flujo grande de corriente, sobrecalentamiento, posibles quemaduras y aún descomposturas.
6. No guarde la herramienta ni el cartucho de batería en lugares donde la temperatura pueda alcanzar o exceder los 50°C (122°F).
7. Nunca incinere el cartucho de batería incluso en el caso de que esté dañado seriamente o ya no sirva en absoluto. El cartucho de batería puede explotar si se tira al fuego.
8. Tenga cuidado de no dejar caer ni golpear el cartucho de batería.
9. No use una batería dañada.
10. Las baterías incluidas están sujetas a cumplir con los requisitos de la Legislación de Insumos Peligrosos.

Para transportes comerciales, p.ej. por entidades terceras como agencias de envío de paquetería, se requiere de un empaçado con el etiquetado correspondiente.

Para la preparación del artículo a ser enviado, se requiere de la asesoría de un experto con sustancias peligrosas. Por favor también asegúrese de cumplir con las posibles normas nacionales detalladas.

Cubra con cinta adhesiva o coloque una barrera en los contactos que estén expuestos y empaque la batería de tal manera que no pueda moverse dentro del paquete.

11. **Siga las regulaciones locales relacionadas al desecho de las baterías.**

GUARDE ESTAS INSTRUCCIONES.

⚠PRECAUCIÓN: Use solo baterías auténticas de Makita.

El uso de baterías no auténticas de Makita, o baterías que hayan sido alteradas, puede que resulte en la explosión de la batería, originando un incendio, así como lesiones al usuario y daños. También anulará la garantía de Makita para la herramienta y el cargador Makita.

Consejos para alargar al máximo la vida útil de la batería

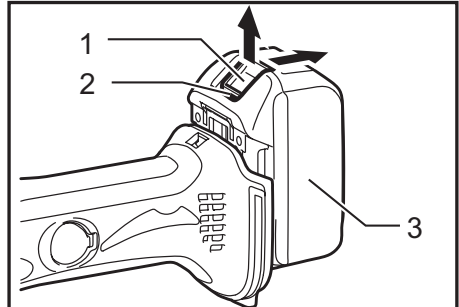
1. **Cargue el cartucho de batería antes de que se descargue completamente. Pare siempre la operación y cargue el cartucho de batería cuando note menos potencia en la herramienta.**
2. **No cargue nunca un cartucho de batería que esté completamente cargado. La sobrecarga acortará la vida de servicio de la batería.**
3. **Cargue el cartucho de batería a temperatura ambiente de 10°C - 40°C (50°F - 104°F). Si un cartucho de batería está caliente, déjelo enfriar antes de cargarlo.**
4. **Cargue el cartucho de batería si no lo ha usado por un largo período (más de seis meses).**

DESCRIPCIÓN DEL FUNCIONAMIENTO

⚠PRECAUCIÓN:

- Asegúrese siempre de que la herramienta esté apagada y el cartucho de batería extraído antes de realizar cualquier ajuste o comprobación en la herramienta.

Instalación o desmontaje del cartucho de batería



► 1. Botón 2. Indicador rojo 3. Cartucho de batería

⚠PRECAUCIÓN:

- Apague siempre la herramienta antes de colocar o quitar el cartucho de batería.
- **Sujete la herramienta y el cartucho de la batería con firmeza al colocar o quitar el cartucho.** Si no se sujeta con firmeza la herramienta y el cartucho de la batería, puede ocasionar que se resbalen de sus manos resultando en daños a la herramienta y al cartucho, así como lesiones a la persona.

Para quitar el cartucho de batería, deslícelo de la herramienta mientras desliza el botón sobre la parte delantera del cartucho.

Para colocar el cartucho de batería, alinee la lengüeta sobre el cartucho de batería con la ranura en la carcasa y deslice en su lugar. Inserte por completo hasta que se fije en su lugar con un pequeño clic. Si puede ver el indicador rojo del lado superior del botón, esto indica que no ha quedado fijo por completo.

⚠PRECAUCIÓN:

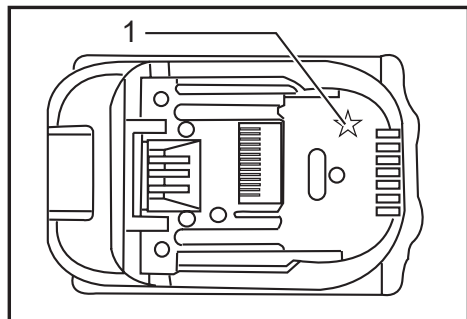
- Introduzca siempre completamente el cartucho de batería hasta que el indicador rojo no pueda verse. Si no, podría accidentalmente salirse de la herramienta y caer al suelo causando una lesión a usted o alguien a su alrededor.
- No instale el cartucho de batería a la fuerza: si el cartucho no se desliza al interior fácilmente, se debe a que no está siendo insertado correctamente.

Sistema de protección de la batería

La herramienta está equipada con un sistema de protección de la batería. Este sistema corta en forma automática el suministro de energía al motor para prolongar la vida útil de la batería. La herramienta se detendrá automáticamente durante el funcionamiento si la herramienta y/o la batería se someten a una de las siguientes condiciones:

- **Sobrecarga:**
La herramienta se está utilizando de una manera que causa que consuma una cantidad de corriente inusualmente alta. En este caso, apague la herramienta y detenga la aplicación que causó que la herramienta se sobrecargara. Luego encienda la herramienta y reinicie. Si la herramienta no empieza a funcionar, significa que la batería se sobrecalentó. En este caso, espere que la batería se enfríe antes de volver a encender la herramienta.
- **Bajo voltaje de la batería:**
La capacidad restante de la batería es demasiado baja y la herramienta no funcionará. En este caso, extraiga la batería y vuelva a cargarla.

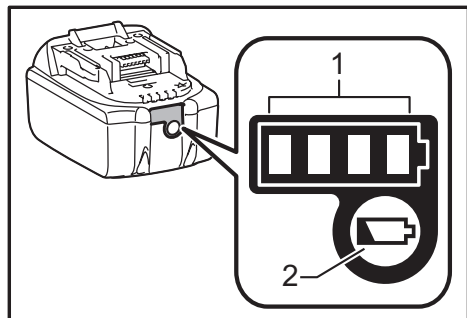
NOTA: La protección contra el sobrecalentamiento funciona solamente con una cartucho de batería el cual presente una marca de estrella.



► 1. Marca de estrella

Indicación de la capacidad restante de la batería

(Solo para cartuchos de batería con una "B" al final del número de modelo.)



► 1. Luces indicadoras 2. Botón de verificación "CHECK"

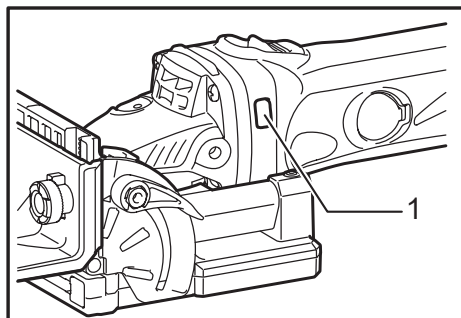
Presione el botón de comprobación en el cartucho de la batería para indicar la capacidad restante de la batería. La luz indicadora se enciende por algunos segundos.

Luces indicadoras			Capacidad restante
Encendido	APAGADO	Intermitencia	
■ ■ ■ ■			75% a 100%
■ ■ ■ □			50% a 75%
■ ■ □ □			25% a 50%
■ □ □ □			0% a 25%
▬ □ □ □			Recargue la batería.
■ ■ □ □	↑ ↓	■ ■	Puede que haya un defecto en el funcionamiento de la batería.

NOTA:

- Dependiendo de las condiciones de uso y de la temperatura ambiental, puede que el nivel indicado difiera ligeramente de la capacidad real de la batería.

Luz indicadora de función múltiple



► 1. Luz indicadora

Las luces indicadoras se ubican en dos lugares. Cuando el cartucho de la batería está puesto en la herramienta con el interruptor de deslizamiento en la posición "O" de apagado ("OFF"), la luz indicadora parpadea rápidamente por aproximadamente un segundo. Si no parpadea así, el cartucho de la batería o la luz indicadora no está funcionando.

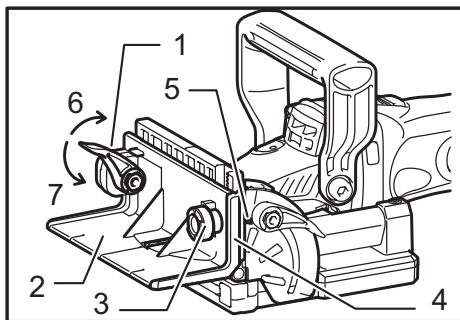
— Protección contra sobrecarga

- Cuando la herramienta está sobrecargada, la luz indicadora se ilumina. Al reducir la carga en la herramienta, la luz indicadora se apaga.
- Si la herramienta continúa sobrecargada, así como la luz indicadora sigue encendida por aproximadamente dos segundos, la herramienta se detiene. Esto previene que el motor y sus partes relacionadas se dañen.

- En este caso, para encender la herramienta de nuevo, deslice el interruptor a la posición de apagado "O" ("OFF") y regréselo a la posición de encendido "I" ("ON").
- **Señal de reemplazo del cartucho de la batería**
 - Cuando la capacidad restante de la batería es pequeña, la luz indicadora se ilumina durante la operación con antelación al uso de capacidad suficiente de la batería.
- **Función preventiva de reinicio accidental**
 - Incluso cuando el cartucho de la batería está insertado en la herramienta con el interruptor de deslizamiento en la posición de encendido "I" ("ON"), la herramienta no enciende. En este momento, la luz indicadora parpadea lentamente y esto muestra que la función preventiva contra reinicio accidental está en ejecución.
 - Para iniciar la herramienta, primero deslice el interruptor hacia la posición de apagado "O" ("OFF") y luego vuélvalo a deslizar a la posición de encendido "I" ("ON").

Guía de ángulo

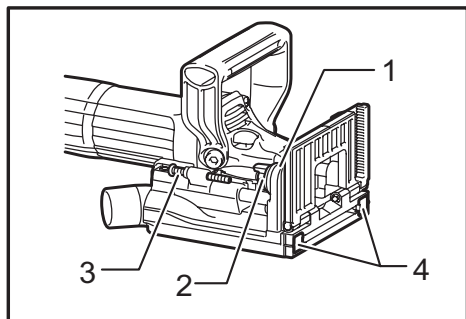
La altura de la guía de ángulo puede moverse hacia arriba y abajo para ajustar la posición del disco cortador en relación con la parte superior de la pieza de trabajo.



- 1. Palanca de bloqueo 2. Guía de ángulo 3. Perilla 4. Escala 5. Puntero 6. Apretar 7. Aflojar

Para ajustar la altura de la guía de ángulo, afloje la palanca de bloqueo hacia abajo y gire la perilla hasta que el puntero señale a la graduación deseada en la escala de medición marcada en la guía de ángulo.

Ajuste de la profundidad de ranura

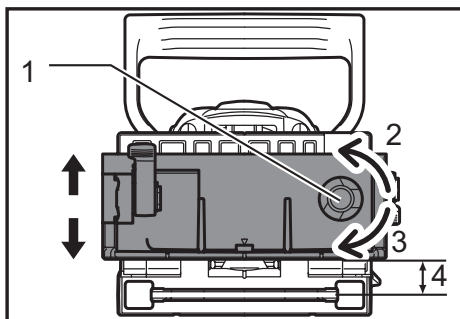


- 1. Puntero 2. Tapón 3. Tornillo de ajuste 4. Punta de hule

Se pueden preajustar 6 profundidades de ranurado según el tamaño de la galleta a ser utilizada. Consulte la tabla a continuación para la correspondencia entre los tamaños marcados sobre el cerco y el tamaño de la galleta. Las afinaciones en la profundidad de ranurado pueden hacerse al girar el tornillo de ajuste después de haber aflojado la tuerca hexagonal. Puede que esto sea necesario después de que el disco cortador haya sido afilado varias veces.

Tamaño en el Tapón	0	10	20	S	D	MAX
Tamaño de galleta	0	10	20	—	—	—
Profundidad de ranura	8 mm (0,3")	10 mm (0,4")	12,3 mm (0,48")	13 mm (0,51")	14,7 mm (0,58")	20 mm* (0,8")

* Con las puntas de hule extraídas



- 1. Perilla 2. Abajo 3. Arriba 4. Centro del grosor del disco cortador

Después apriete la palanca de bloqueo hacia arriba para fijar la guía de ángulo.

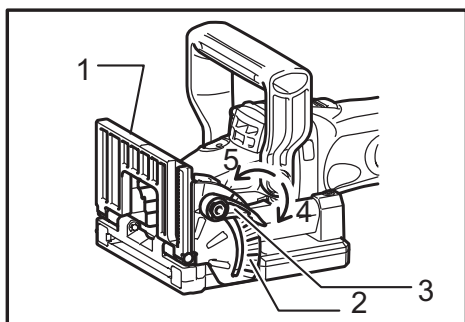
La escala de medición en la guía de ángulo indica la distancia desde la parte superior de la pieza hasta el centro del grosor del disco cortador.

La guía de ángulo es extraíble desde el cerco según lo requiera el trabajo a realizar. Para extraer la guía de ángulo, afloje la palanca de bloqueo y gire la perilla en sentido de las agujas del reloj hasta que salga del extremo superior del cerco.

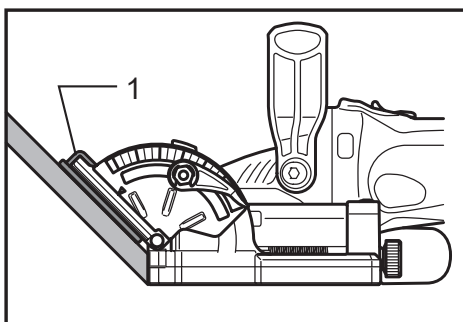
Cerco

NOTA:

- Extraiga la guía de ángulo según se requiera por trabajo a realizar al usar la herramienta con el ángulo del cerco ajustado a otro valor distinto a 0°. Cuando requiera usar el ángulo de guía bajo la condición antes descrita, asegúrese de ajustar la profundidad de ranura a la medida adecuada.



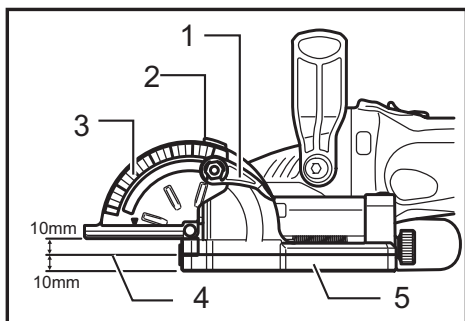
- 1. Cerco 2. Escala de medición de ángulo
3. Palanca de bloqueo 4. Apretar 5. Aflojar



- 1. Placa de fijación

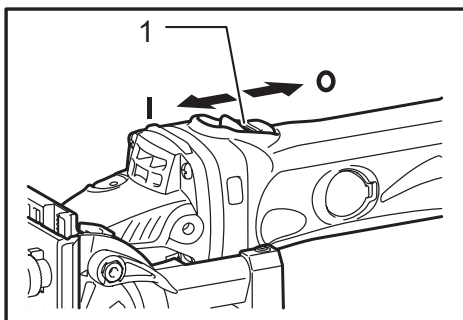
Use la placa de fijación como se ilustra en las figuras cuando el corte haga ranuras en las piezas de trabajo pequeñas.

Accionamiento del interruptor



- 1. Palanca de bloqueo 2. Puntero 3. Escala de medición de ángulo 4. Centro del grosor del disco cortador 5. Cubierta protectora de las cuchillas

El ángulo del cerco puede ajustarse entre 0° y 90° (topes positivos a los 0°, 45° y 90°). Para ajustar el ángulo, afloje la palanca de bloqueo e incline el cerco hasta que el apuntador señale a la graduación deseada en la escala de medición del ángulo. Luego apriete la palanca de bloqueo para fijar el cerco. Cuando el cerco esté puesto a 90°, tanto la distancia entre el centro del grosor del disco cortador y el cerco, así como la distancia entre el centro del grosor del disco cortador y el fondo de la cubierta del disco, será de 10 mm (0,4").



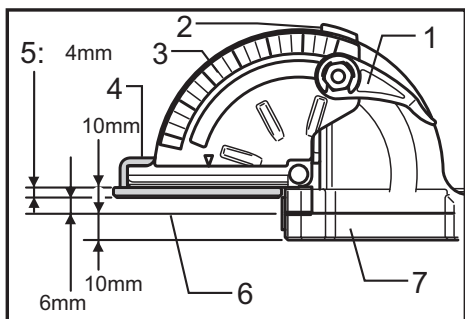
- 1. Interruptor deslizable

⚠PRECAUCIÓN:

- Antes de colocar el cartucho de la batería en la herramienta, siempre verifique que el interruptor de deslizamiento funciona adecuadamente y que retorna a la posición de apagado "OFF" al presionar la parte trasera de dicho interruptor.
- El interruptor puede ser bloqueado en la posición "ON" (encendido) para mayor comodidad del operario durante una utilización prolongada. Tenga precaución cuando bloquee la herramienta en la posición "ON" (encendido) y sujete la herramienta firmemente.

Para poner en marcha la herramienta, deslice el interruptor deslizable hacia la posición "I" (ON-Encendido). Para una operación continua, presione la parte delantera del interruptor deslizable para bloquearlo. Para parar la herramienta, presione la parte trasera del interruptor deslizable, después deslícelo hacia la posición "O" (OFF-Apagado).

Placa de presión



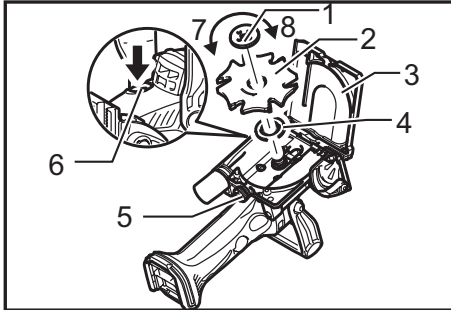
- 1. Palanca de bloqueo 2. Apuntador o puntero
3. Escala de medición de ángulo 4. Placa de fijación
5. Grosor de placa de presión 6. Centro del grosor del disco cortador 7. Cubierta protectora de las cuchillas

ENSAMBLE

⚠️ PRECAUCIÓN:

- Asegúrese siempre de que la herramienta esté apagada y el cartucho de batería extraído antes de realizar cualquier trabajo en la misma.

Extracción e instalación del disco cortador



- ▶ 1. Contratuerca 2. Disco de engalletadora
3. Cubierta protectora de las cuchillas 4. Brida interior
5. Tornillo de fijación 6. Bloqueo del eje
7. Aflojar 8. Apretar

⚠️ PRECAUCIÓN:

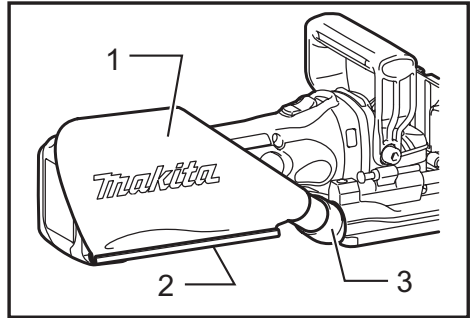
- Al instalar el disco de la engalletadora, monte la brida interior con el lado con la marca "22" haciendo frente hacia usted.

Para quitar el disco cortador, afloje el tornillo de la abrazadera y abra la cubierta del disco cortador. Empuje el seguro del eje y afloje la tuerca de bloqueo usando la llave para la tuerca de bloqueo. Para instalar el disco cortador, primero monte la brida interior. Luego monte el disco y la tuerca de bloqueo. Apriete fijamente la tuerca de bloqueo usando la llave para la misma. Cierre la cubierta del disco cortador y apriete el tornillo de la abrazadera para dejarla fija.

⚠️ PRECAUCIÓN:

- Use solamente la llave Makita para tuercas de bloqueo proporcionada para quitar o poner el disco cortador.
- Siempre verifique la profundidad de ranura antes de reemplazar el disco cortador. Reajuste en caso de ser necesario.

Bolsa recolectora de polvo



- ▶ 1. Bolsa para polvo 2. Sujetador 3. Boquilla para polvo

Para adherir la bolsa recolectora de polvo, encájela en la boquilla para el polvo. Si la bolsa recolectora de polvo se convierte en un obstáculo para su trabajo, gire la boquilla para el polvo y cambie la posición de la bolsa.

Cuando la bolsa recolectora de polvo se llene aproximadamente a la mitad, apague y extraiga el cartucho de batería de la herramienta. Extraiga la bolsa recolectora de polvo de la herramienta y jale hacia afuera el sujetador de la bolsa. Vacíe la bolsa recolectora de polvo al golpetearla ligeramente para eliminar todo el polvo posible.

NOTA:

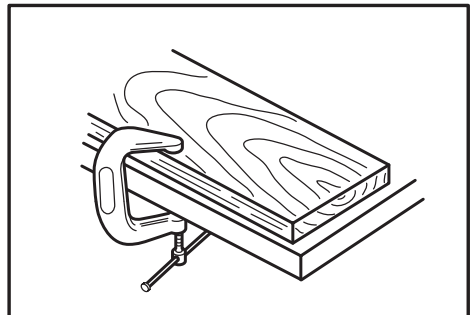
- Si conecta una aspiradora Makita a su engalletadora, el desempeño de las operaciones será más eficiente y limpio.

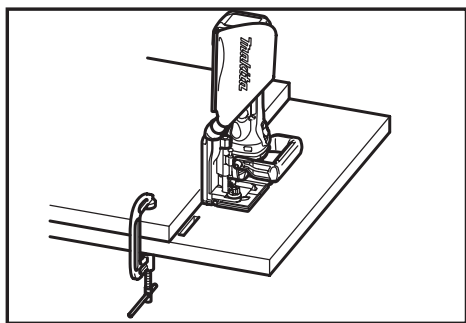
OPERACIÓN

Cómo hacer ranuras de unión

⚠️ ADVERTENCIA:

- Fije siempre la pieza de trabajo a la mesa de trabajo antes de cada operación.





Ranura de unión de esquina (Fig. A)

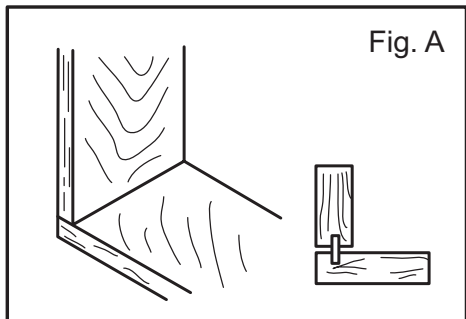
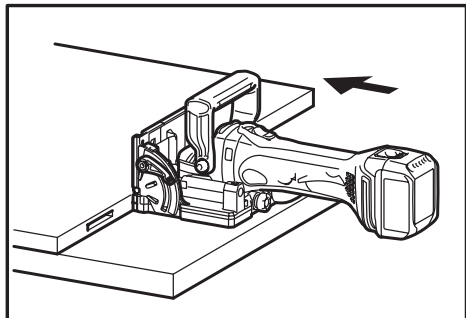
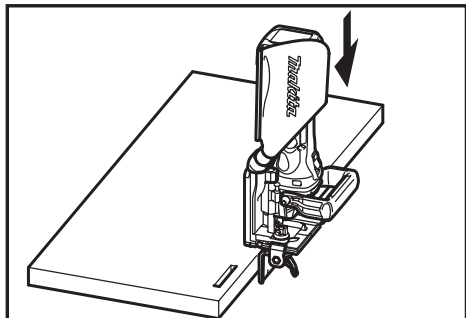


Fig. A



Ranura de unión en forma de colilla-T (Fig. B)

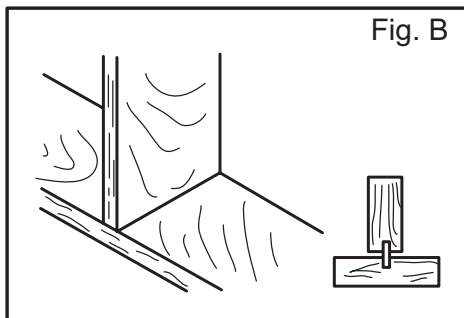
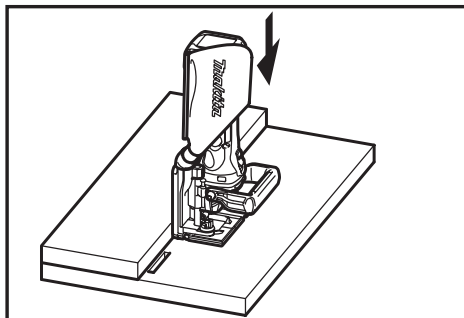
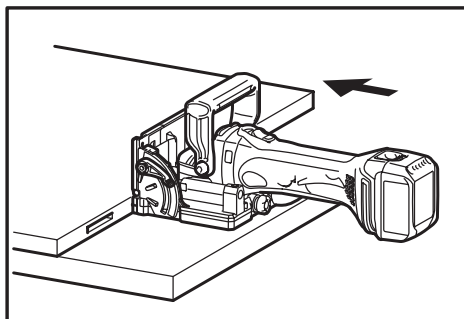


Fig. B



Ranura de unión ingleteada (Fig. C)

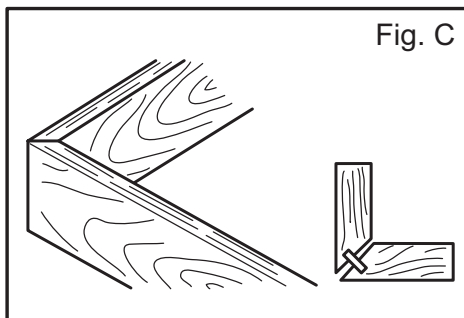
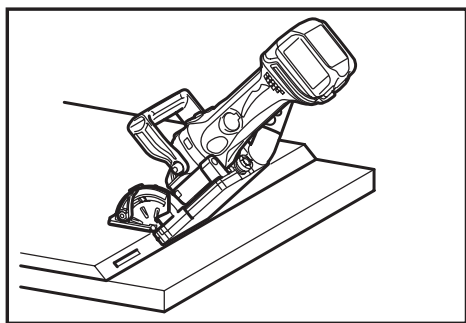
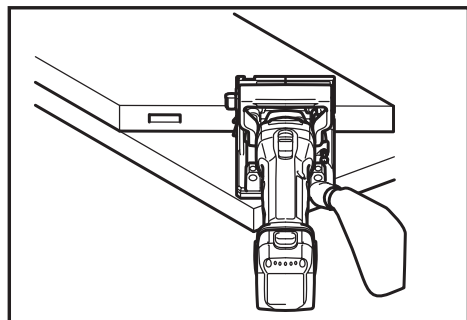
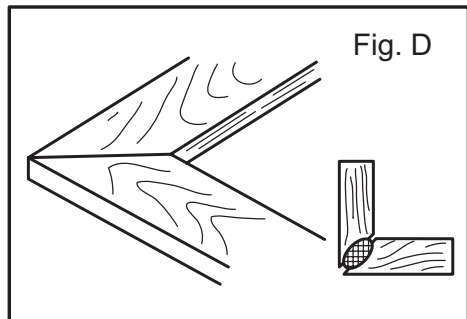


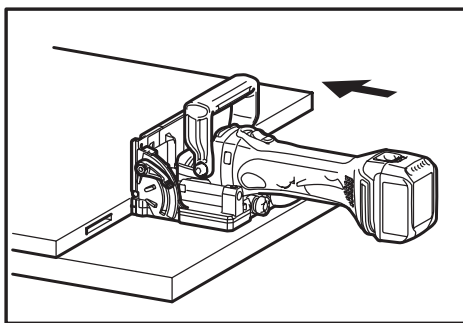
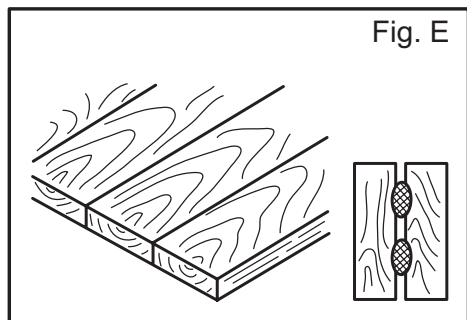
Fig. C



Ranura de unión de marco (Fig. D)



Ranura de unión de borde-a-borde (Fig. E)



Para hacer ranuras de unión, proceda como se indica a continuación:

1. Aproxime las piezas de la manera en como quedarían unidas con la ranura de unión.
2. Marque el centro de las ranuras hechas con la galleta que se planean hacer sobre la pieza de trabajo utilizando un lápiz.

NOTA:

- El centro de las ranuras debe estar al menos 50 mm (2") de los bordes exteriores de las piezas de trabajo.
- Deje entre 100 mm y 150 mm (entre 4" y 6") entre las ranuras en las aplicaciones de galleta múltiple.

3. **Solamente para ranuras de unión de esquina y de forma de colilla-T**

Sujete con la abrazadera la pieza vertical a la mesa de trabajo.

Solamente para ranuras de unión ingleteada

Sujete con la abrazadera la pieza a la mesa de trabajo con el borde ingleteado de cara arriba.

Solamente para ranuras de unión de marco y de borde-a-borde

Sujete la pieza con la abrazadera a la mesa de trabajo.

4. Ajuste la profundidad de ranura de acuerdo al tamaño de la galleta a ser utilizada. Consulte la tabla en la sección de "Ajuste de la profundidad de ranura".
5. Ajuste la altura de la guía de ángulo de tal manera que el disco cortador esté al centro del grosor del tablón.
6. Alinee la marca central en la base con la línea hecha con el lápiz sobre la pieza de trabajo.
7. Encienda la herramienta y empuje con cuidado para extender el disco cortador hacia la pieza de trabajo.
8. Regrese con cuidado la herramienta a la posición original después de que el tornillo de ajuste haga contacto con el tope.
9. **Solamente para ranuras de unión de esquina y de forma de colilla-T**

Sujete con la abrazadera la pieza horizontal a la mesa de trabajo.

Solamente para ranuras de unión ingleteada

Sujete con la abrazadera la otra pieza a la mesa de trabajo con el borde ingleteado de cara arriba.

Solamente para ranuras de unión de marco y de borde-a-borde

Sujete con la abrazadera la otra pieza a la mesa de trabajo.

10. **Solamente para ranuras de unión de esquina**
Coloque la herramienta sobre la pieza de trabajo de tal forma que el disco cortador esté de cara abajo.

Solamente para ranuras de unión en forma de colilla-T

Retire la guía de ángulo de la herramienta. Coloque la herramienta sobre la pieza de trabajo de tal forma que el disco cortador esté de cara abajo.

11. Repita los pasos del 6 al 8 para ranurar la pieza de trabajo horizontal o en la otra pieza.

Si no requiere centrar el disco cortador en el grosor del tablón, proceda como se indica a continuación:

Solamente para ranuras de unión de esquina, ingleteada, de marco y de borde-a-borde

- Retire la guía de ángulo de la herramienta. Ponga el cerco a 90° para ranuras de unión de esquina, de marco y de borde-a-borde y a 45° para ranuras de unión ingleteada.
- Siga los pasos del 1 al 11 excluyendo los pasos 5 y 10 descritos anteriormente.

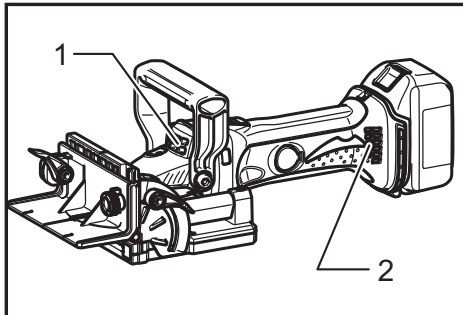
Solamente para ranuras de unión en forma de colilla-T

- Aproxime las piezas de la manera en como quedarían unidas con la ranura de unión.
- Coloque la pieza de trabajo vertical sobre la horizontal. Sujete con la abrazadera ambas piezas a la mesa de trabajo.
- Retire la guía de ángulo de la herramienta.
- Siga los pasos 2, 4, 6, 7, 8 y 11 descritos anteriormente.

MANTENIMIENTO

⚠PRECAUCIÓN:

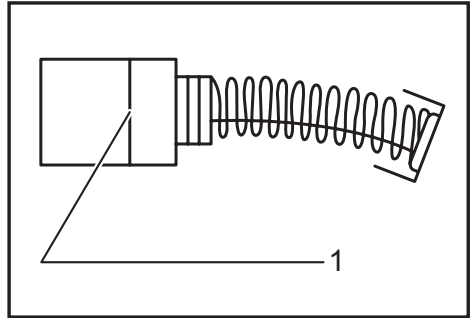
- Asegúrese siempre de que la herramienta esté apagada y el cartucho de batería extraído antes de intentar realizar una inspección o mantenimiento.
- Nunca use gasolina, bencina, diluyente (tíner), alcohol o sustancias similares. Puede que esto ocasione grietas o descoloramiento.



- 1. Abertura de ventilación de salida 2. Abertura de ventilación de entrada

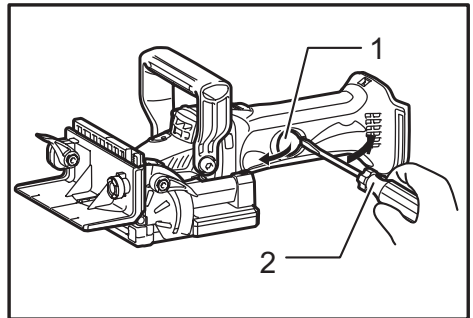
La herramienta y sus aberturas de ventilación han de mantenerse limpias. Limpie las aberturas de ventilación regularmente o siempre que los orificios empiecen a estar obstruidos.

Reemplazamiento de las escobillas de carbón



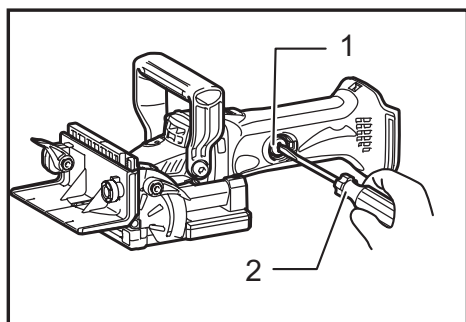
- 1. Marca límite

Extraiga e inspeccione de forma periódica las escobillas de carbón. Sustitúyalas cuando se hayan gastado hasta la marca límite. Mantenga las escobillas de carbón limpias de forma que entren libremente en los portaescobillas. Ambas escobillas de carbón deberán ser sustituidas al mismo tiempo. Utilice únicamente escobillas de carbón originales e idénticas. Inserte el extremo superior del desarmador de punta plana en la ranura sobre la herramienta y retire la tapadera del sujetador al levantar.



- 1. Tapadera del sujetador 2. Destornillador

Utilice un destornillador para quitar Tapa del carbón. Extraiga las escobillas gastadas, inserte las nuevas y vuelva a colocar las tapas.



► 1. Tapa del carbón 2. Destornillador

Reinstale la tapadera del sujetador sobre la herramienta. Para mantener la **SEGURIDAD** y **FIABILIDAD** del producto, las reparaciones, y cualquier otra tarea de mantenimiento o ajuste deberán ser realizadas en Centros de Servicio Autorizados por Makita, empleando siempre repuestos Makita.

ACCESORIOS OPCIONALES

⚠ PRECAUCIÓN:

- Estos accesorios o aditamentos (incluidos o no) están recomendados para utilizar con su herramienta Makita especificada en este manual. El empleo de cualesquiera otros accesorios o acoplamientos conllevará un riesgo de sufrir heridas personales. Utilice los accesorios o acoplamientos solamente para su fin establecido.

Si necesita cualquier ayuda para más detalles en relación con estos accesorios, pregunte a su centro de servicio Makita local.

- Guía de ángulo
- Bolsa recolectora de polvo
- Placa de presión
- Llave de contratuerca
- Discos de engalletadora
- Batería y cargador originales de Makita

NOTA:

- Algunos de los artículos en la lista puede que vengan junto con el paquete de la herramienta como accesorios incluidos. Puede que estos accesorios varíen de país a país.

GARANTÍA LIMITADA DE MAKITA

Ésta Garantía no aplica para México

Consulte la hoja de la garantía anexa para ver los términos más vigentes de la garantía aplicable a este producto. En caso de no disponer de esta hoja de garantía anexa, consulte los detalles sobre la garantía descritos en el sitio web de su país respectivo indicado a continuación.

Estados Unidos de América: www.makitatools.com

Canadá: www.makita.ca

Otros países: www.makita.com

< USA only >

WARNING

Some dust created by power sanding, sawing, grinding, drilling, and other construction activities contains chemicals known to the State of California to cause cancer, birth defects or other reproductive harm. Some examples of these chemicals are:

- lead from lead-based paints,
- crystalline silica from bricks and cement and other masonry products, and
- arsenic and chromium from chemically-treated lumber.

Your risk from these exposures varies, depending on how often you do this type of work. To reduce your exposure to these chemicals: work in a well ventilated area, and work with approved safety equipment, such as those dust masks that are specially designed to filter out microscopic particles.

< Sólo en los Estados Unidos >

ADVERTENCIA

Algunos polvos creados por el lijado, aserrado, esmerilado, taladrado y otras actividades de la construcción contienen sustancias químicas reconocidas por el Estado de California como causantes de cáncer, defectos de nacimiento y otros peligros de reproducción. Algunos ejemplos de estos productos químicos son:

- plomo de pinturas a base de plomo,
- sílice cristalino de ladrillos y cemento y otros productos de albañilería, y
- arsénico y cromo de maderas tratadas químicamente.

El riesgo al que se expone varía, dependiendo de la frecuencia con la que realice este tipo de trabajo. Para reducir la exposición a estos productos químicos: trabaje en un área bien ventilada y póngase el equipo de seguridad indicado, tal como las máscaras contra polvo que están especialmente diseñadas para filtrar partículas microscópicas.

Makita Corporation

3-11-8, Sumiyoshi-cho,
Anjo, Aichi 446-8502 Japan

www.makita.com

885297C935
DPJ180-1
EN, FRCA, ESMX
20180827